

SHALLECO

308 Components Drive, P.O. Box 1089, Smithfield, N.C. 27577

Telephone: (919) 934-3135 Fax: (919) 934-3298

ROCKER SWITCHES

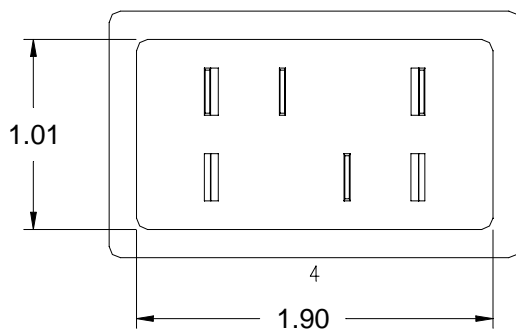
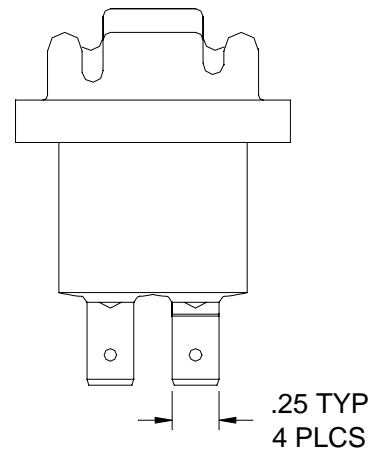
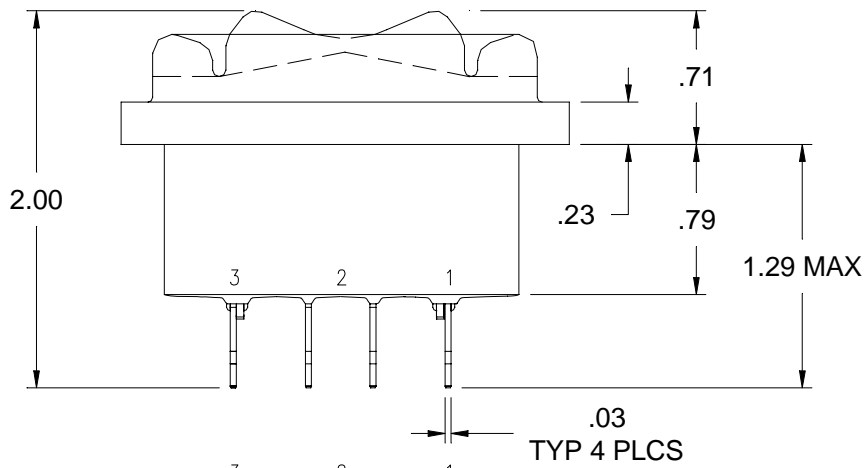
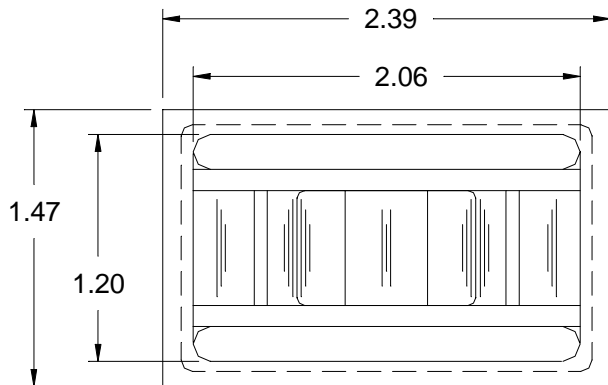
General:

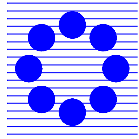
High current, momentary, shunting, polarity reversing switch.

Materials and Finishes

Contacts: OFHC Copper

All Other Parts: Thermoplastic





SHALLECO

308 Components Drive, P.O. Box 1089, Smithfield, N.C. 27577

Telephone: (919) 934-3135 Fax: (919) 934-3298

ROCKER SWITCHES

Electrical

Duty Cycle Rating : 70 Amps @ 10%

Voltage: 24 Vdc

Continuous Rating - 10 Amperes

Dielectric: 1000 rms

Contact Resistance: Initial, 5 milliohms max.

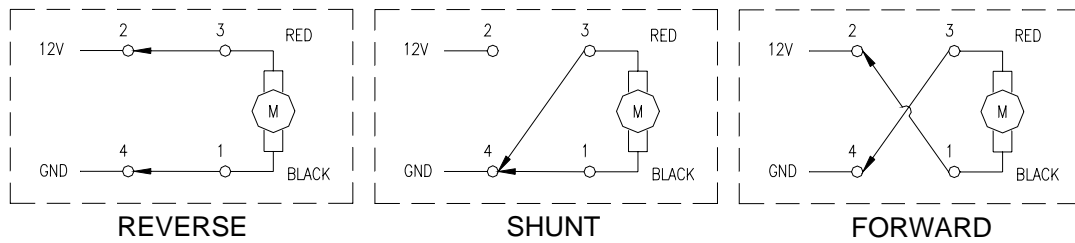
Insulation Resistance: 1000 Megaohms.

Mechanical

Water Resistant Design

Mechanical Life: 10,000 Cycles

SWITCH CIRCUIT



Additional Versions

Design to meet UL1054 120 Vac, 10 Amp Resistive. Approval Pending

Custom Circuits Available

2 Pole Double Throw, Momentary.