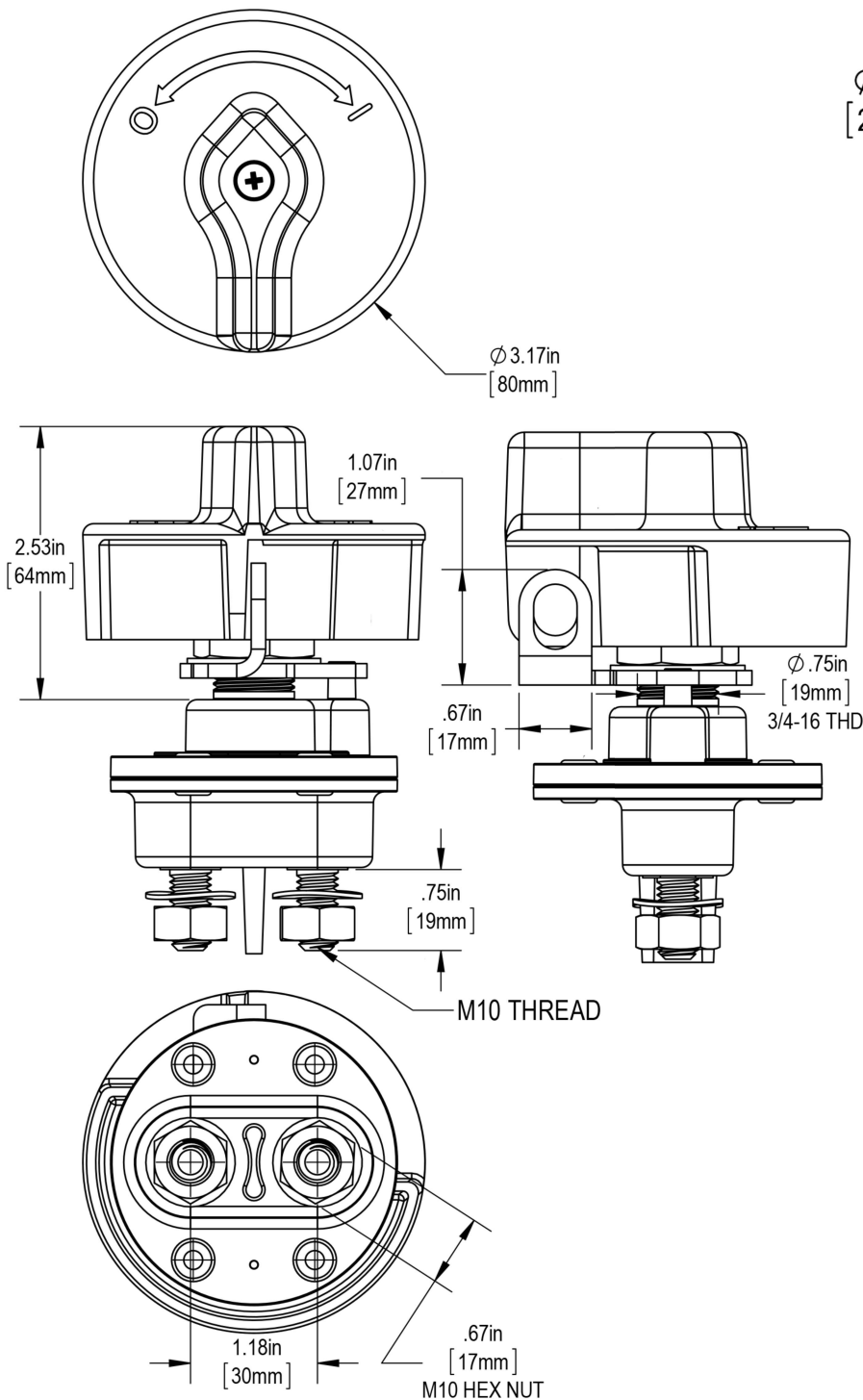


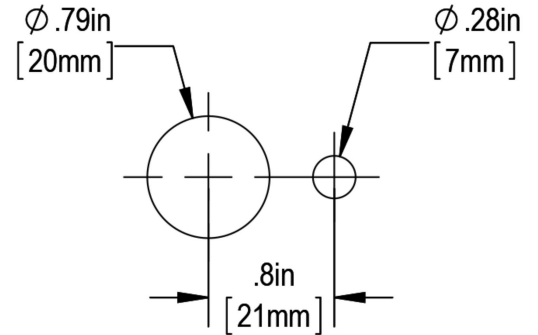
# "502" Series Battery Switches and Disconnects

Shallco 502 Series Battery Switches and Disconnects feature a lockable, shielded handle are designed and manufactured in Smithfield North Carolina. Our products are designed to meet the most demanding applications in the Transportation, Marine and Heavy Equipment industries. Tested to industry standards for shock, vibration, sealing, life, voltage drop, temperature rise and resistance to fluids and cleaning agents. The 500 line of Battery Switches and Disconnects are robust in mounting and retention of battery leads under the most demanding conditions.

## Physical Data



## Mounting Details



**500 SERIES AVAILABLE AS:  
A SWITCH (500S) OR  
AS A DISCONNECT (500D).**

## Technical Data

- Temperature Range:  $-40^{\circ}\text{C}$  to  $85^{\circ}\text{C}$
- Voltage Drop:  $<150$  mVDC
- Minimum Insulation Resistance:  $>100\text{M}\Omega$
- Barrier Isolated Terminals
- Dielectric Withstanding: 1050 Volts
- Bushing Mount Torque: 18 ft-lbs
- Terminal Torque: 13 ft-lbs
- Voltage Range: Up to 48 VDC
- Sealed: IP67 and SAE J 1455

### 502S (Switch):

- Full Rated Current (Make/Brake): 10,000 cycles.
- Contact Material: Silver Alloy
- Current: 200 Amps and 300 Amps

### 502D (Disconnect):

- Mechanical Life: 25,000 Cycles, limited number of full load make/break cycles.
- Contact Material: Copper
- Current: 300 Amps