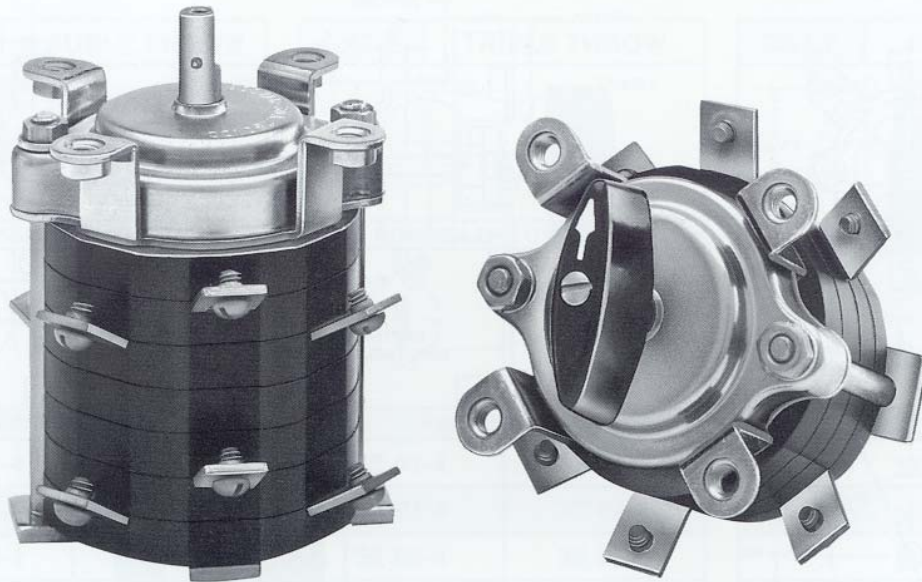


# SNAP-ACTION POWER SWITCHES

## SERIES 3

- 30 AMPERES MAX., 600 VAC
- CLOSED CONSTRUCTION
- SNAP ACTION
- MULTIPLE POLES
- 1, 2, 3 AND 4-WAY CIRCUITS
- SCREW TERMINATIONS

STANDARD AND CUSTOM ASSEMBLIES FOR  
INDUSTRIAL CONTROL APPLICATIONS



*Shallco*  
SINCE 1967

**SHALLCO, INC.**  
PRECISION ELECTRICAL COMPONENTS  
P.O. BOX 1089 • SMITHFIELD, N.C. 27577 • 919/934-3135

## SERIES 3 SNAP-ACTION ROTARY SWITCH, 30 AMPERE

### General:

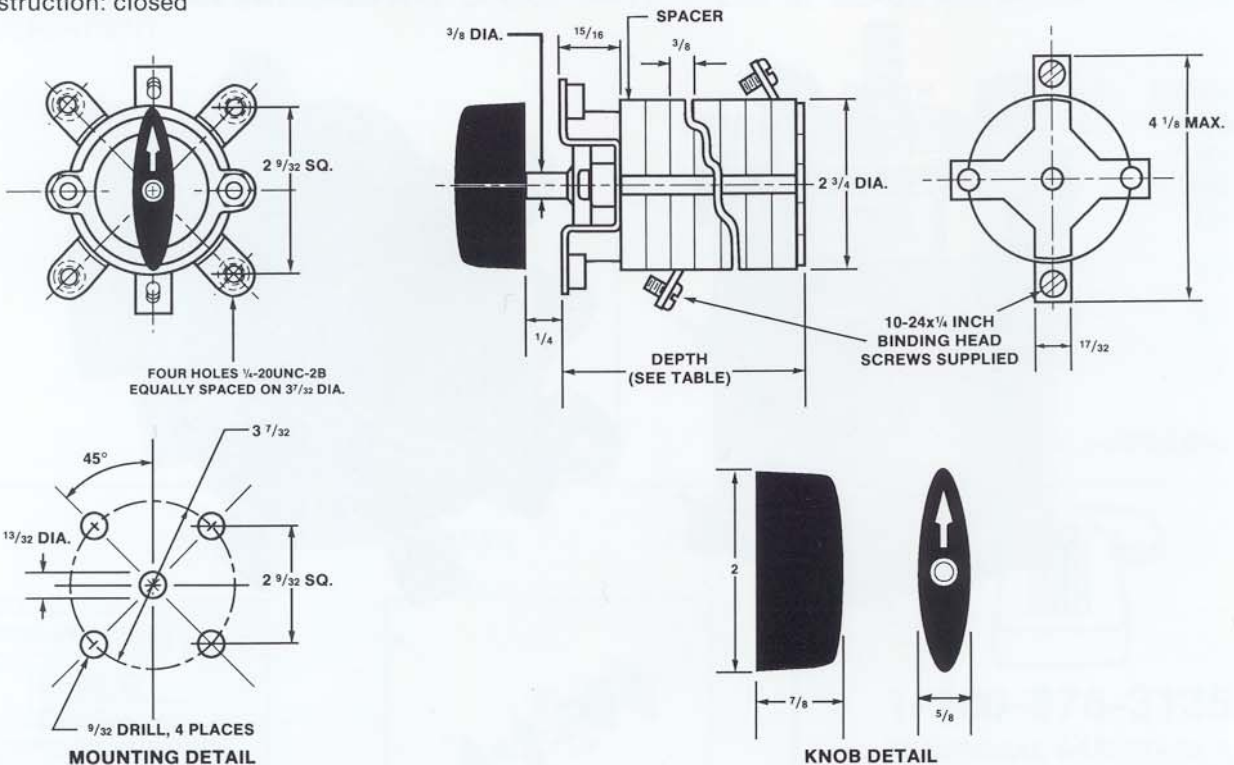
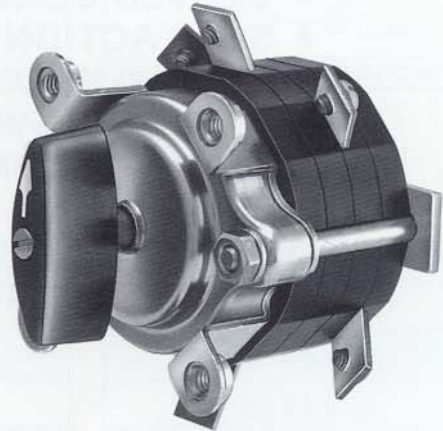
Meets requirements for 10 to 30 ampere switching of resistive loads to .75 power factor at voltages to 480V AC and 250V DC resistive loads.

### Electrical:

- Voltages: 480V AC, 250V DC
- Current carrying capacity: 45 amperes
- Current switching capacity: Up to 30 amperes
- Dielectric withstanding voltage: 2500V rms, initial
- Contact resistance: 10 milliohms maximum, (4 milliohms average initially)
- Insulation resistance: 1000 megohms, initial

### Mechanical:

- Poles: 1 to 12, depending on circuit
- Positions: 2, 3, or 4
- Contacts: BBM (break-before-make, non-shorting) or MBB (make-before-break, shorting)
- Indexing: 90° snap-action, less than 15 millisecond transit time
- Rotational life, mechanical: 30,000 operations
- Rotational torque: 9-18 pound inches depending on poles and circuit
- Terminals: screw type lug, hardware supplied
- Construction: closed



### Materials and Finishes:

- Stators: thermoset plastic, UL 94V0
- Rotor contacts: phosphor bronze, dual wiping
- Stationary contacts: copper with integral screw terminal
- Exterior metal: steel, zinc plated with chromate
- Terminal hardware: unplated brass pan head screw
- Knob: black thermoset plastic bar type with pointer

- Approximate Weights  
Single pole and section: 1.1 pounds  
Additional section: .25 pound

- Mounting hardware: supplied, 4 each  $\frac{3}{4}$ " long truss head screws
- Knob: supplied with hardware



**SERIES 3 SNAP-ACTION ROTARY SWITCH, 30 AMPERE**

**CIRCUIT DIAGRAMS (SINGLE POLE SWITCHES SHOWN, SHAFT END)**

DESCRIPTION	CKT.A SINGLE THROW			CKT.B DOUBLE THROW			CKT.C DOUBLE THROW		
	NUMBER OF POSITIONS			NUMBER OF POSITIONS			NUMBER OF POSITIONS		
POLES	PART NUMBER			PART NUMBER			PART NUMBER		
1	3A 01-4	3A 01-2	3A 01-2A	3B 01-4	3B 01-2	3B 01-2A	3C 01-3		
2	3A 02-4	3A 02-2	3A 02-2A	3B 02-4	3B 02-2	3B 02-2A	3C 02-3		
3	3A 03-4	3A 03-2	3A 03-2A	3B 03-4	3B 03-2	3B 03-2A	3C 03-3		
4	3A 04-4	3A 04-2	3A 04-2A	3B 04-4	3B 04-2	3B 04-2A	3C 04-3		

DESCRIPTION	CKT.D DOUBLE THROW		CKT.E TRIPLE THROW		CKT.F FOUR THROW	
	NUMBER OF POSITIONS		NUMBER OF POSITIONS		NUMBER OF POSITIONS	
POLES	PART NUMBER		PART NUMBER		PART NUMBER	
1	3D 01-4	3D 01-3	3E 01-4	3E 01-3	3F 01-4	
2	3D 02-4	3D 02-3	3E 02-4	3E 02-3	3F 02-4	
3	3D 03-4	3D 03-3	3E 03-4	3E 03-3	3F 03-4	
4	3D 04-4	3D 04-3	3E 04-4	3E 04-3	3F 04-4	

**PART NUMBER CODE**

SERIES	POLES	POSITIONS
3	D 03	— 4

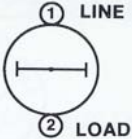
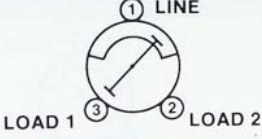
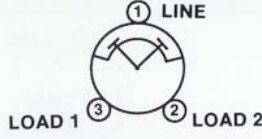



**CIRCUIT**

**EXAMPLE:** SERIES 3, CIRCUIT D, 3 POLES,  
4 POSITIONS  
(MAXIMUM POLES: 8)

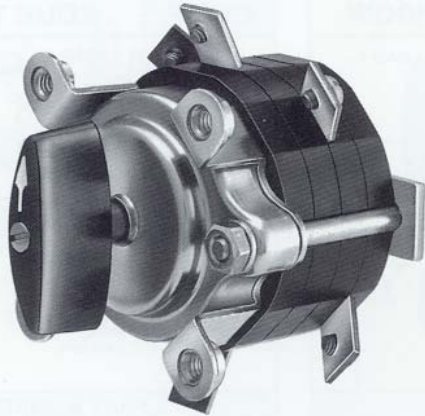
POLES	DEPTH (INCHES) CKT. ABC/DEF	TORQUE (LB.-IN.) CKT. ABC/DEF	WEIGHT (LBS.) CKT. ABC/DEF
1	1.88/2.25	9	1.0/1.2
2	2.25/3.00	9	1.2/1.6
3	2.63/3.75	9	1.4/2.0
4	3.00/4.50	9	1.6/2.4

(CONSULT FACTORY FOR > 4 POLES)

**SERIES 3 SPRING-RETURN ROTARY SWITCH, 30 AMPERE**

DESCRIPTION	CKT.A	SINGLE THROW	CKT.B	DOUBLE THROW	CKT.C	DOUBLE THROW
						
		NUMBER OF POSITIONS	NUMBER OF POSITIONS	NUMBER OF POSITIONS		
						
POLES	PART NUMBER		PART NUMBER		PART NUMBER	
1	3A 01-2 SR		3B 01-2 SR		3C 01-3 SR	
2	3A 02-2 SR		3B 02-2 SR		3C 02-3 SR	
3	3A 03-2 SR		3B 03-2 SR		3C 03-3 SR	
4	3A 04-2 SR		3B 04-2 SR		3C 04-3 SR	

**NOTE:** SPRING-RETURN SWITCHES ARE DIRECT DRIVE, SPEED OF BLADE ROTATION IS OPERATOR DEPENDENT.



POLES	DEPTH	TORQUE	WEIGHT
	(INCHES)	(LB.-IN.)	(LBS.)
	CKT. ABC	CKT. A/BC	CKT. ABC
1	1.88	9/9	1.0
2	2.25	9/9	1.2
3	2.63	9/12	1.4
4	3.25	12/18	1.6

(CONSULT FACTORY FOR > 4 POLES)