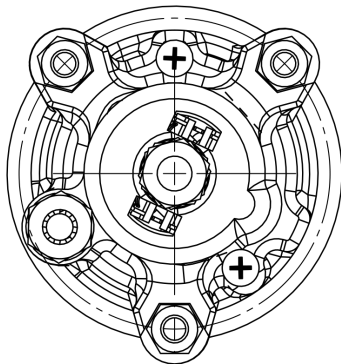
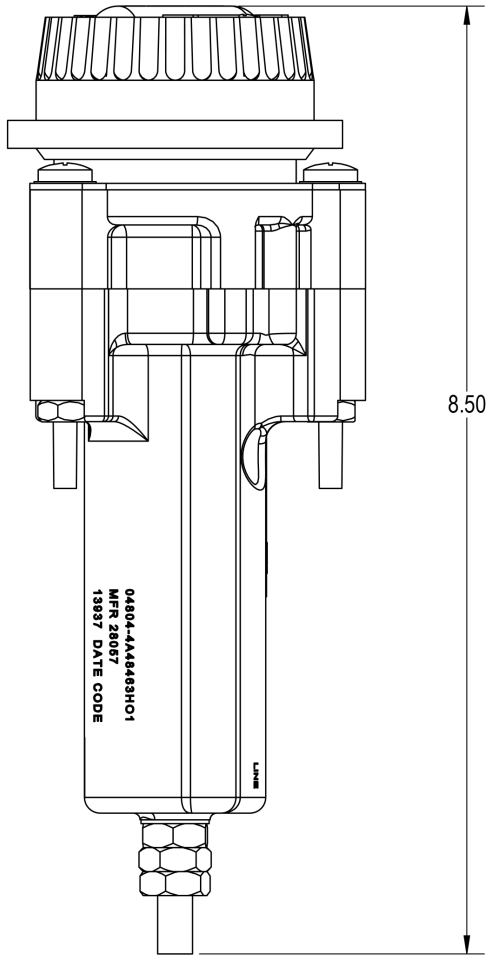
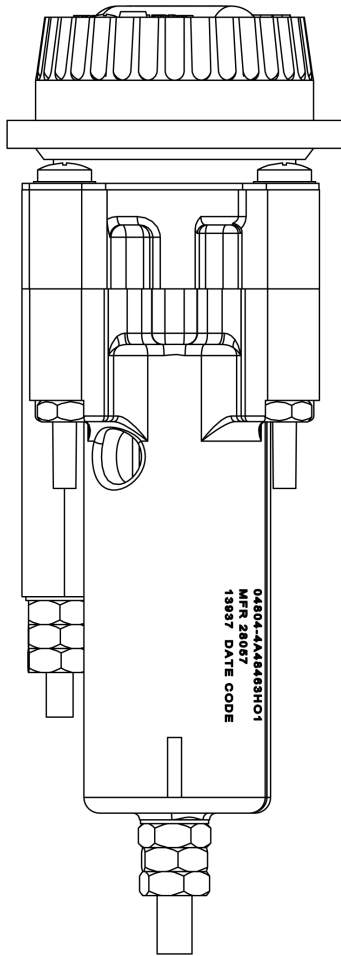
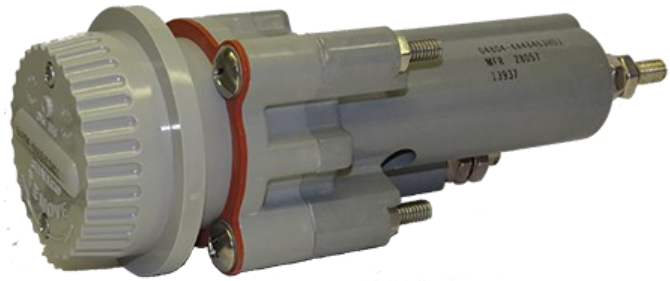
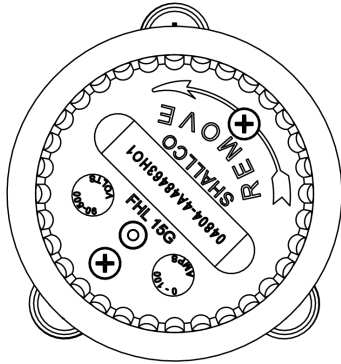


FUSEHOLDER



Technical Data:

Rating: 61 Amperes to 100 Amperes, 90 Volts to 500 Volts.
Terminals: Stud type, no. 5/16-18UNC-2A Thread.
Enclosure: Drip proof
Military Part Number: M19207/6-002
Type Designation: FHL 15G