

SHALLCO

DC Power Relays "MR" Series



Mono-Stable Relay

- J 200-300 Amp
- J 12 Volt
- J 24 Volt
- J Bottom Mounted
- J Bracket Mounted



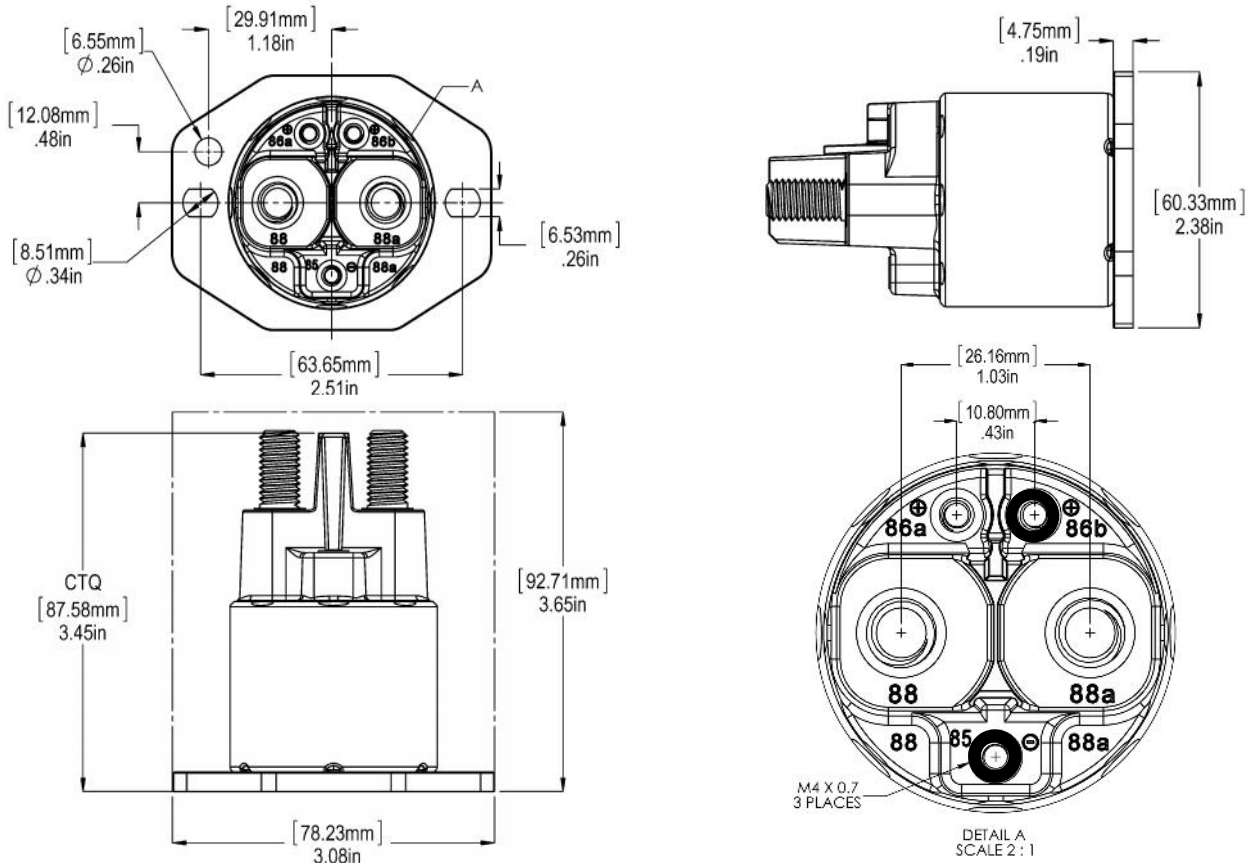
P.O. Box 1089
308 Components Drive
Smithfield, North Carolina 27577

Phone: 919-934-3135
Fax: 919-934-3298
E-mail: Shallco@shallco.com
Website: www.shallco.com

DC Power Relays

Introducing our NEW line of DC Power Relays. Designed and manufactured in the USA to meet the most demanding applications. We have incorporated our Sealed contact system to increase Reliability and Performance. This Robust enclosure allows various mounting methods while still retaining Shock and Vibration Resistance. The Sealed system increases resistance to most fluids and cleaning agents without influencing the Compact size and weight. The relays have been Optimized to Increase Voltage Delivery to Critical components. Our relays have been tested to meet or exceed an assortment of industry standards including Heavy Equipment and Transportation.

Physical Data - 200 Amp - 12 & 24 VDC



Technical Data

Temperature Range:	-40° C to +85° C -40° F to +185° F
Max. Altitude Rating:	50,000 ft.
Seal:	IP67: IEC 60259
Shock:	6g, 11ms, Saw Tooth
Vibration:	SAE J1455, Appendix A, Category 2, 4g- 10Hz-2000Hz

Rated Contact Load

Resistive Load:	50,000 cycles 200 A
Inductive Load:	10,000 cycles 100 A
Motor Load:	50,000 cycles 200 A
Bounce:	≤ 5 ms
Break:	≤ 5 ms

Electrical Characteristics

Min. Insulation Resistance:	100 M
Dielectric Withstanding Voltage:	1050 V / 1 min.
Max. Contact drop, initial:	150 mV
Duty Rating, Continuous:	200 A

Coil Data - 12 VDC Only (Between Terminals 86b and 85)

Nominal Voltage:	12 VDC
Voltage Range:	9-16 VDC
Coil Resistance:	18 ± 10%
Wattage:	8.0 W

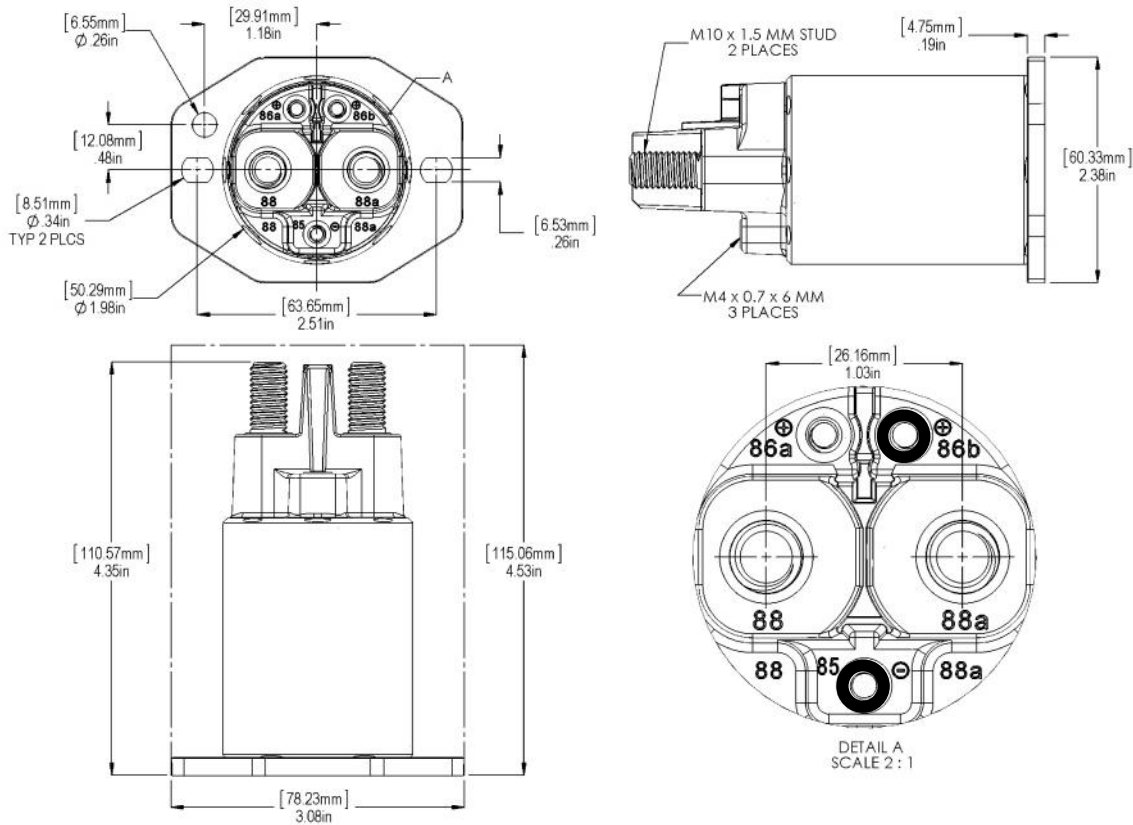
Coil Data - 24 VDC Only (Between Terminals 86b and 85)

Nominal Voltage:	24 VDC
Voltage Range:	18-32 VDC
Coil Resistance:	56 ± 10%
Wattage:	10.2 W

"MR" Series - Mono-Stable Relay

Our New line of "Maintained" mono stable relays are Designed and Manufactured in the U.S.A. These High Quality relays have been Extensively Tested for Reliable switching in the most Demanding Agricultural, Construction, and Transportation environments. Our Compact relay features Environmentally Sealed contacts, Shock and Vibration Resistant enclosure, and can be reliably operated with minimal power from your circuit. Shalco relays will provide more usable power to your system than the competition, Guaranteed!

Physical Data - 300 Amp - 12V & 24 VDC



Technical Data

Temperature Range:	-40° C to +85° C -40° F to +185° F
Max. Altitude Rating:	50,000 ft.
Seal:	IP67: IEC 60259
Shock:	6g, 11ms, Saw Tooth
Vibration:	SAE J1455, Appendix A, Category 2, 4g- 10Hz-2000Hz

Rated Contact Load

Resistive Load:	50,000 cycles 300 A
Inductive Load:	10,000 cycles 150 A
Motor Load:	50,000 cycles 300 A
Bounce:	≤ 5 ms
Break:	≤ 5 ms

Electrical Characteristics

Min. Insulation Resistance:	100 M
Dielectric Withstanding Voltage:	1050 V / 1 min.
Max. Contact drop, initial:	150 mV
Duty Rating, Continuous:	300 A

Coil Data - 12 VDC Only (Between Terminals 86b and 85)

Nominal Voltage:	12 VDC
Voltage Range:	9-16 VDC
Coil Resistance:	18 ± 10%
Wattage:	8.0 W

Coil Data - 24/28 VDC Only (Between Terminals 86b and 85)

Nominal Voltage:	24 VDC
Voltage Range:	18-32 VDC
Coil Resistance:	56 ± 10%
Wattage:	10.2 W

DC POWER RELAY ORDERING INFORMATION

Switch Series	Current Rating			Coil Voltage		Mounting Method		Special Modifier	
	100	200	300	12	24	1	2	3	4
						Bottom	Bracket	Hardware	Diode
BR	- †	0	0	- 0	0	- 0	†	- 0	0
MR	- †	0	0	- 0	0	- 0	†	- 0	0
LT	- †	0	0	- 0	0	- X	0	- 0	0
BD	- †	0	0	- X	X	- X	X	- 0	X

Ordering Example:

BR	-	300	-	12	-	1	-	3	4
----	---	-----	---	----	---	---	---	---	---


Part Number Ordered as:	BR-300-12-1-34
--------------------------------	-----------------------

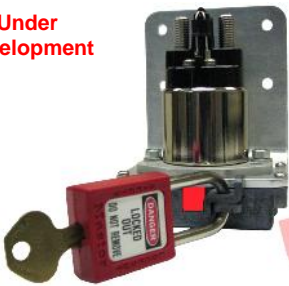
- 0** - Available option
- †** - Contact Factory for Availability
- X** - Unavailable Series option


Reads as:

Bi Stable	300 Amps	12 Volts	Bottom Mounting	With Hardware	With Diode Suppression
-----------	----------	----------	-----------------	---------------	------------------------

Also Available in the DC Power Relay Line

<p>BR Series - Bi-Stable Relay</p> 	<p>Bi-Stable Relays available in:</p> <ul style="list-style-type: none">) 200-300 Amp) 12 Volt) 24 Volt) Bottom Mounted) Bracket Mounted 	<p>Our New line of "Magnetically Maintained" Bi-stable relays are Designed and Manufactured in the U.S.A. These High Quality relays have been Extensively Tested for Reliable switching in the most Demanding Agricultural, Construction, and Transportation environments. Our Compact relay features Environmentally Sealed contacts, Shock and Vibration Resistant enclosure, and are Dependable with a minimal pulse from your circuit. Shallco relays will provide more usable power to your system than the competition, Guaranteed!</p>
--	--	---

<p>LT Series - Lockout - Tag out Relay</p> <p style="color: red; font-weight: bold;">Under Development</p> 	<p>Lockout - Tag Out Relays available in:</p> <ul style="list-style-type: none">) 200-300 Amp) 12 Volt) 24 Volt) Bracket Mounted) For "BR" Series only 	<p>Our NEW "Lockout Tag out" relay carries a Patent Pending and is an Industry First. It is manufactured and designed in the U.S.A. It offers the same Visible Identification of a mechanical disconnect with the Reliable benefits of remote electronic actuation. In the past to interrupt power, relays required remote location lock out and or removal of the attached cables to ensure the main power has been Disconnected. Our relays ability to Mechanically Break closed contacts and Prevent Reclosures when the lock is applied using lockout standards is the separating factor. Safety is first and foremost no matter the location.</p>
---	--	--

<p>500 Series - Battery Switches & Disconnects</p> 	<p>Battery Switches & Disconnects available in:</p> <ul style="list-style-type: none">) 200-300 Amp) Up to 48 VDC) Lockable & Keyed) Versions available. 	<p>Shallco 500 Series Battery Switches and Disconnects are designed and manufactured in Smithfield North Carolina. Our products are designed to meet the most demanding applications in the Transportation, Marine and Heavy Equipment industries. Tested to industry standards for shock, vibration, sealing, life, voltage drop, temperature rise and resistance to fluids and cleaning agents. The 500 line of Battery Switches and Disconnects are robust in mounting and retention of battery leads under the most demanding conditions.</p>
---	--	---