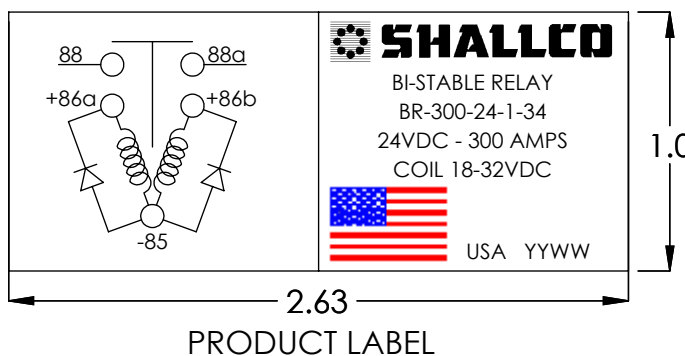
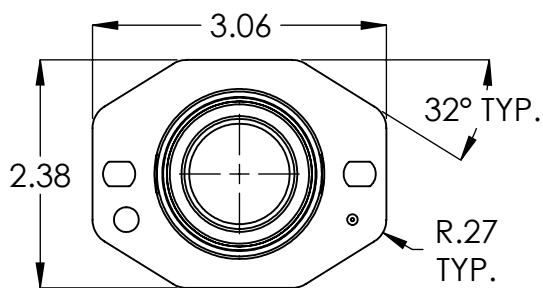
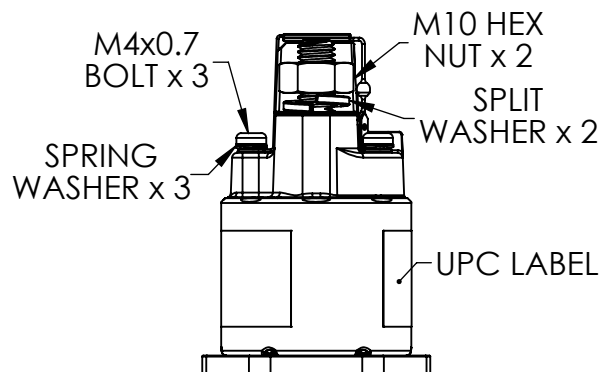
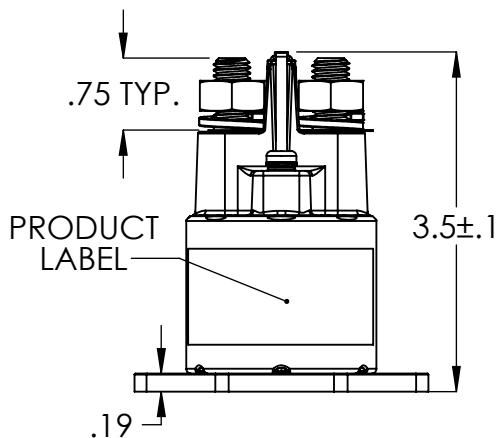


DETAIL SHOWN ABOVE ACTUAL SIZE



UPC BARCODE



308 COMPONENTS DRIVE, SMITHFIELD, NC 27577 USA

DO NOT SCALE DRAWING

TITLE: **BI-STABLE RELAY
24VDC-300AMP
W/HARDWARE & DIODES**

BLANK WEIGHT: - PART WEIGHT: 1.2 LBS

SIZE **A** DWG. NO. **BR-300-24-1-34** REV. **A**
SHEET 1 OF 2

SCALE: 1:2 FILENAME: BR-300-24-1-34

	NAME	DATE
DRAWN	JRT	5-8-19
CHECKED		
ENG APPR.	RMF	5-8-19
MFG APPR.		
Q.A.		

DIMENSIONS ARE IN INCHES
TOLERANCES:
FRACTIONAL ±1/32
ANGULAR: MACH ±1.0 BEND ±
TWO PLACE DECIMAL ±.010
THREE PLACE DECIMAL ±.005

PROPRIETARY AND CONFIDENTIAL

This document contains proprietary data for products designed by Shallco, Inc., of Smithfield, NC. No disclosure, reproduction, or use of any part thereof maybe made except by written permission.

REV.	DESCRIPTION	DATE	APP'D	REV.	DESCRIPTION	DATE	APP'D
REVISIONS				REVISIONS			

Bi-Stable Relay Technical Data

Temperature range: -40 C to +85°C
 -40°F to +185°F
 Max. Altitude rating: 50,000 ft.
 Seal: IP67: IEC 60529
 Shock: 6g, 11ms, Saw Tooth
 Vibration: SAE J1455, Appendix A Cat. 2,
 4g - 10Hz-2000Hz

Electrical Characteristics

Min. Insulation Resistance: 100 MΩ
 Dielectric withstanding voltage: 1050 V / 1 min.
 Max. Contact drop, initial: 150 mV
 (CTQ <0.0009VDC @ 24VDC 1AMP, MAX)
 Duty rating, Continuous: 300 A

Rated Contact Load 24 VDC

Resistive load: 50,000 cycles 300 A
 Inductive load: 10,000 cycles 150 A
 Motor load: 50,000 cycles 300 A
 Bounce: ≤ 5 ms
 Break: ≤ 5 ms


Coil Data 24 VDC

Nominal voltage: 24 VDC
 Voltage range: 18-32 VDC
 (CTQ @ 14VDC)
 Pull closed coil resistance: 7.30 Ω, ± 10%
 Pull open coil resistance: 8.40 Ω, ± 10%
 Minimum Pulse Length: 100ms
 Maximum Pulse Length: 400ms
 Max. operations per minute: 6 (Momentary Pulse)

	NAME	DATE
DRAWN	JRT	5-8-19
CHECKED		
ENG APPR.	RMF	5-8-19
MFG APPR.		
Q.A.		

PROPRIETARY AND CONFIDENTIAL

This document contains proprietary data for products designed by Shallco, Inc., of Smithfield, NC. No disclosure, reproduction, or use of any part thereof may be made except by written permission.

		
308 COMPONENTS DRIVE, SMITHFIELD, NC 27577 USA DO NOT SCALE DRAWING		
TITLE: BI-STABLE RELAY 24VDC-300AMP W/HARDWARE & DIODES		
SIZE	DWG. NO.	REV.
A	BR-300-24-1-34	A
SHEET 2 OF 2		
SCALE:1:2	FILENAME: BR-300-24-1-34	

DWG NO: BR-300-24-1-34