

SHALLCO SERIES 26
Part Number: 76504D



308 COMPONENTS DRIVE
 SMITHFIELD, NC 27577 USA

General:

Meets requirements for 1 - 25 ampere switching of resistive loads to .75 power factor at voltages to 600 V AC and 250 VDC resistive loads

Electrical:

- * Ratings: 25A/120 VAC
- 15A/600 VAC
- 20A/600 VAC (RESISTIVE)
- 3A/125 VDC
- 1A/250 VDC



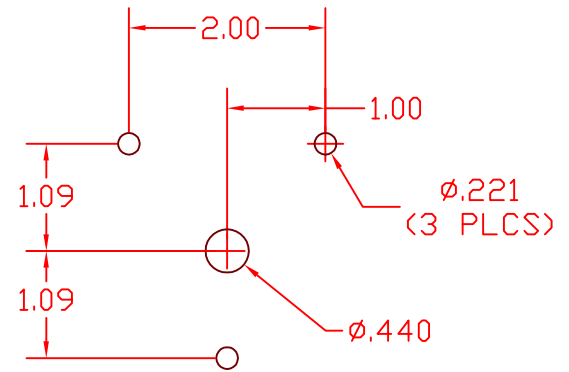
- * Current carrying capacity: 25 amperes
- * Dielectric Withstanding Voltage: 2200 Vrms
- * Contact Resistance: Initial, 10 milliohms max.
- * Insulation Resistance: 100 Megohms min., initial

Mechanical:

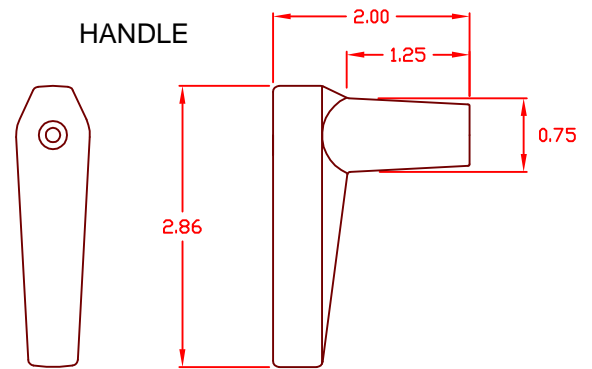
- * Sections: 4
- * Positions: 3 (Spring return from Pos 1 and Pos 3 to Position 2 (Center))
- * Indexing: 45°
- * Rotational Life: 65,000 operations

Materials and Finishes:

- * Rotors and Stators: Thermoset Plastic, UL 94VO
- * Rotor contacts: Phosphor bronze
- * Stator contacts: Silver plated copper, screw type
- * Terminal hardware: silver plated brass
- * Exterior Metal: Steel with zinc chromate finish
- * Knob: thermoset phenolic

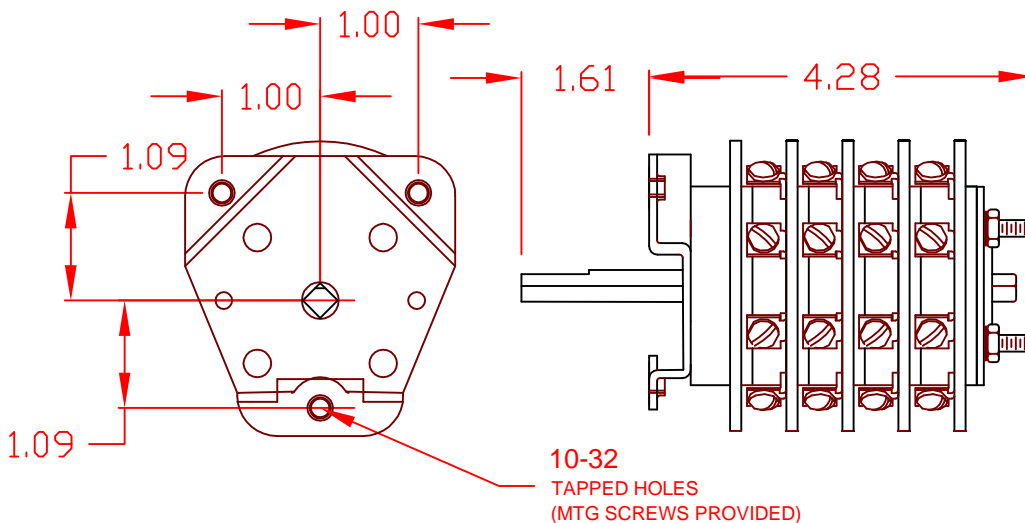


MOUNTING HOLE DETAIL



CONTACT TABLE

	DECK	CONTACTS		POSITION		
		1	2	3	1	2
1	18	12	12	X		
	11	13	13		X	
	12	14	14			X
	14	16	16	X		
	15	17	17		X	
	16	18	18			X
2	28	22	22	X		
	21	23	23		X	
	22	24	24			X
	24	26	26	X		
	25	27	27		X	
	26	28	28			X
3	38	32	32	X		
	31	33	33		X	
	32	34	34			X
	34	36	36	X		
	35	37	37		X	
	36	38	38			X
4	48	42	42	X		
	41	43	43		X	
	42	44	44			X
	44	46	46	X		
	45	47	47		X	
	46	48	48			X



76504D (SET FOR 3 POS)



308 COMPONENTS DRIVE
 SMITHFIELD, NC 27577 USA