

SHALLCO SERIES 26
Part Number: 76204D-3



308 COMPONENTS DRIVE
 SMITHFIELD, NC 27577 USA

General:

Meets requirements for 1 - 25 ampere switching of resistive loads to .75 power factor at voltages to 600 V AC and 250 V DC resistive loads

Electrical:

* Ratings:

25A/120 VAC

15A/600 VAC

20A/600 VAC (RESISTIVE)

3A/125 VDC

1A/250 VDC



* Current carrying capacity: 25 amperes

* Dielectric Withstanding Voltage: 2200 Vrms

* Contact Resistance: Initial, 10 milliohms max.

* Insulation Resistance: 100 Megohms min., initial

Mechanical:

* Sections: 4

* Positions: 3

* Indexing: 45°

* Rotational Life: 65,000 operations

Materials and Finishes:

* Rotors and Stators: Thermoset Plastic, UL 94VO

* Rotor contacts: Phosphor bronze

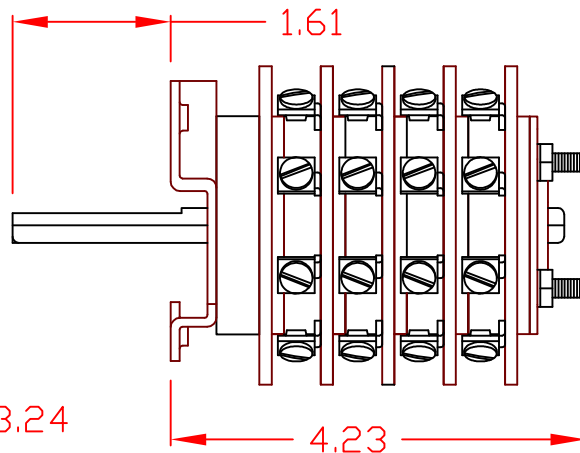
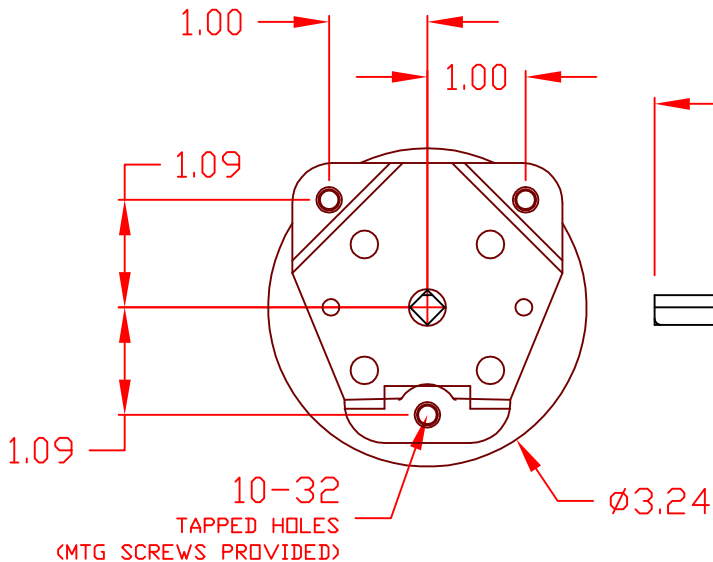
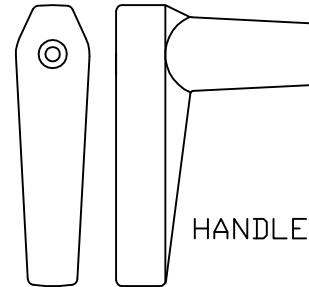
* Stator contacts: Silver plated copper, screw type

* Terminal hardware: silver plated brass

* Exterior Metal: Steel with zinc chromate finish

* Knob: thermoset phenolic

DESCRIPTION	DECK	CONTACTS	POSITION		
			1	OFF	2
<p>4 POLE DOUBLE THROW WITH "OFF" "ON1-OFF-ON2" (SPRING RETURN TO "OFF")</p> <p>JUMPERS REQUIRED FOR THIS CONFIGURATION</p>	1	11 → 18	X		
		12 → 13			X
		15 → 14	X		
		16 → 17			X
	2	21 → 28	X		
		22 → 23			X
		25 → 24	X		
		26 → 27			X
	3	31 → 38	X		
		32 → 33			X
		35 → 34	X		
		36 → 37			X
4	41 → 48	X			
	42 → 43			X	
	45 → 44	X			
	46 → 47			X	



DESCRIPTION

76204D-3



308 COMPONENTS DRIVE
 SMITHFIELD, NC 27577 USA

TERMINAL SCREW TIGHTENING TORQUE: : 8 IN-LBS.