

**SHALLCO SERIES 26**  
**Part Number: 76203D-3**



308 COMPONENTS DRIVE  
 SMITHFIELD, NC 27577 USA

**General:**

Meets requirements for 1 - 25 ampere switching of resistive loads to .75 power factor at voltages to 600 V AC and 250 V DC resistive loads

**Electrical:**

\* Ratings:

25A/120 VAC

15A/600 VAC

20A/600 VAC (RESISTIVE)

3A/125 VDC

1A/250 VDC



\* Current carrying capacity: 25 amperes

\* Dielectric Withstanding Voltage: 2200 Vrms

\* Contact Resistance: Initial, 10 milliohms max.

\* Insulation Resistance: 100 Megohms min., initial

**Mechanical:**

\* Sections: 3

\* Positions: 3

\* Indexing: 45°

\* Rotational Life: 65,000 operations

**Materials and Finishes:**

\* Rotors and Stators: Thermoset Plastic, UL 94VO

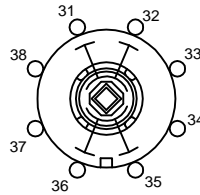
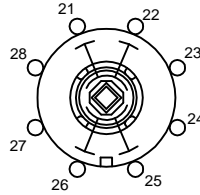
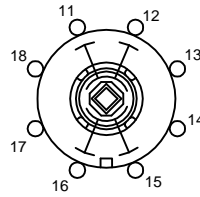
\* Rotor contacts: Phosphor bronze

\* Stator contacts: Silver plated copper, screw type

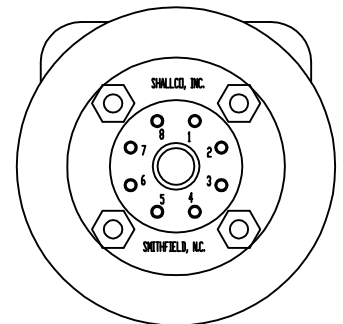
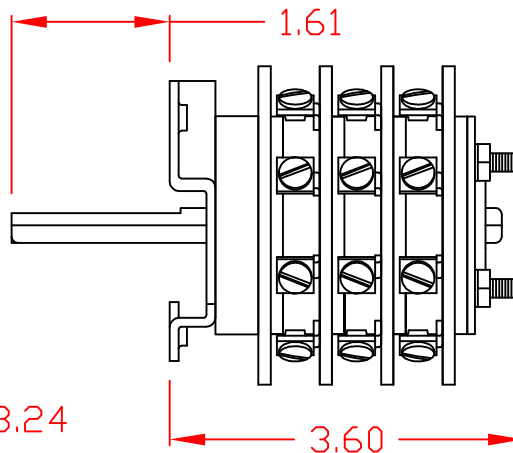
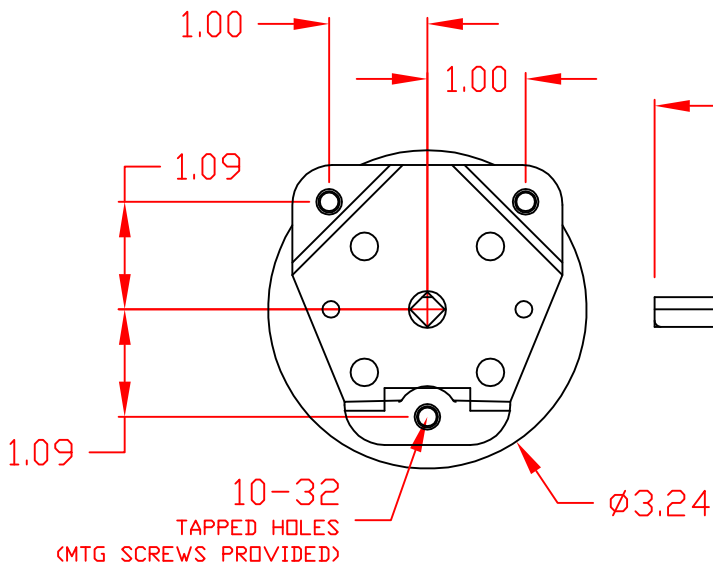
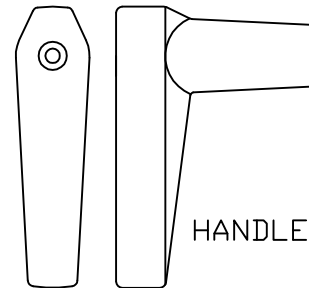
\* Terminal hardware: silver plated brass

\* Exterior Metal: Steel with zinc chromate finish

\* Knob: thermoset phenolic



DESCRIPTION	DECK	CONTACTS	POSITION	
			1	OFF 2
<p>4 POLE DOUBLE THROW WITH "OFF" "ON1-OFF-ON2" (SPRING RETURN TO "OFF")</p> <p>JUMPERS REQUIRED FOR THIS CONFIGURATION</p>	1	11 → 18	X	
		12 → 13		X
		15 → 14	X	
		16 → 17		X
		21 → 28	X	
		22 → 23		X
	2	25 → 24	X	
		26 → 27		X
		31 → 38	X	
		32 → 33		X
		35 → 34	X	
		36 → 37		X



DESCRIPTION	<b>76203D-3</b>
-------------	-----------------



308 COMPONENTS DRIVE  
 SMITHFIELD, NC 27577 USA

TERMINAL SCREW TIGHTENING TORQUE: : 8 IN-LBS.