

SHALCO SERIES 26

Part Number: 76203D 125VDC EXD

General:

Meets requirements for 1 - 25 ampere switching of resistive loads to .75 power factor at voltages to 600 VAC and 250 VDC resistive loads

Electrical:

- * Voltages: 250 V DC, 600 VAC
- * Current carrying capacity: 25 amperes
- * Dielectric Withstanding Voltage: 2200 Vrms
- * Contact Resistance: Initial, 10 milliohms max.
- * Insulation Resistance: 100 Megohms min., initial

* Switch is supplied with a lighted escutcheon plate:

Input voltage: 125 VDC (40 - 140 VDC)

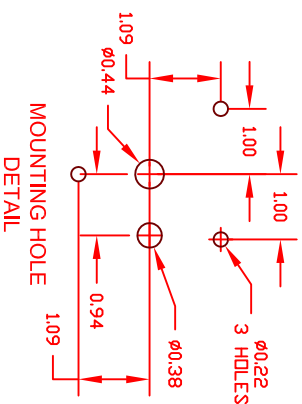
Wiring: As shown

Mechanical:

- * Sections: 3
- * Positions: 2, Spring Return to Center (Off)
- * Indexing: 45°
- * Rotational Life: 65,000 operations

Materials and Finishes:

- * Rotors and Stators: Thermoset Plastic, UL 94V0
- * Rotor contacts: Phosphor bronze
- * Stator contacts: Silver plated copper, screw type
- * Terminal hardware: silver plated brass
- * Exterior Metal: Steel with zinc chromate finish
- * Knob: thermoset phenolic



DECK	CONTACT	POSITION	
		TRIP	NORMAL CLOSE
1	18 - 11	X	
	11 - 12		X
	12 - 13		X
2	14 - 15	X	
	15 - 16		X
	16 - 17		X
3	28 - 21	X	
	21 - 22		X
	22 - 23	X	
	24 - 25		X
	25 - 26		X
	26 - 27		X
	38 - 31	X	
	31 - 32		X
	32 - 33		X
	34 - 35	X	
	35 - 36		X
	36 - 37		X

