

SHALCO SERIES 26

Part Number: 76203D 120VACAXC

General:

Meets requirements for 1 - 25 ampere switching of resistive loads to .75 power factor at voltages to 600 VAC and 250 VDC resistive loads

Electrical:

- * Voltages: 250 V DC, 600 VAC
- * Current carrying capacity: 25 amperes
- * Dielectric Withstanding Voltage: 2200 Vrms
- * Contact Resistance: Initial, 10 milliohms max.
- * Insulation Resistance: 100 Megohms min., initial

* Switch is supplied with a lighted escutcheon plate:

Input voltage: 120 - 130 VAC

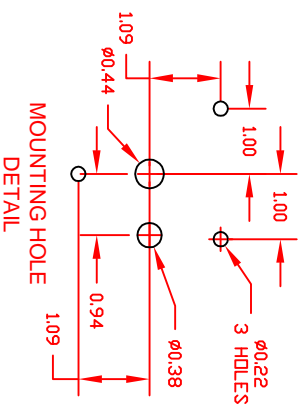
Wiring: As shown

Mechanical:

- * Sections: 3
- * Positions: 2, Spring Return to Center (Off)
- * Indexing: 45°
- * Rotational Life: 65,000 operations

Materials and Finishes:

- * Rotors and Stators: Thermoset Plastic, UL 94VO
- * Rotor contacts: Phosphor bronze
- * Stator contacts: Silver plated copper, screw type
- * Terminal hardware: silver plated brass
- * Exterior Metal: Steel with zinc chromate finish
- * Knob: thermoset phenolic



DECK	POSITION	
	CONTACT	TRIP
1	18 - 11	X
	11 - 12	X
	12 - 13	X
2	14 - 15	X
	15 - 16	X
	16 - 17	X
3	28 - 21	X
	21 - 22	X
	22 - 23	X
	24 - 25	X
	25 - 26	X
3	26 - 27	X
	38 - 31	X
	31 - 32	X
	32 - 33	X
	34 - 35	X
3	35 - 36	X
	36 - 37	X

