

**SHALLCO SERIES 26**  
**Part Number: 76203B**



308 COMPONENTS DRIVE  
 SMITHFIELD, NC 27577 USA

**General:**

Meets requirements for 1 - 25 ampere switching of resistive loads to .75 power factor at voltages to 600 V AC and 250 V DC resistive loads

**Electrical:**

- \* Ratings:
- 25A/120 VAC
- 15A/600 VAC
- 20A/600 VAC (RESISTIVE)
- 3A/125 VDC
- 1A/250 VDC



- \* Current carrying capacity: 30 amperes
- \* Dielectric Withstanding Voltage: 2200 Vrms
- \* Contact Resistance: Initial, 10 milliohms max.
- \* Insulation Resistance: 100 Megohms min., initial

**Mechanical:**

- \* Sections: 3
- \* Positions: Up to 3 (variable - see Contact tables)
- \* Circuit: See Contact Tables
- \* Nonshorting Operation
- \* Indexing: 45° positive detent
- \* Rotational Life: 65,000 operations

**Materials and Finishes:**

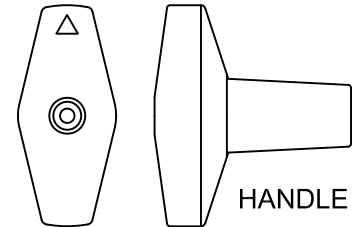
- \* Rotors and Stators: Thermoset Plastic, UL 94VO
- \* Rotor contacts: Phosphor bronze
- \* Stator contacts: Silver plated copper, screw type
- \* Terminal hardware: silver plated brass
- \* Exterior Metal: Steel with zinc chromate finish
- \* Knob: thermoset phenolic

**TYPICAL CONTACT TABLES**

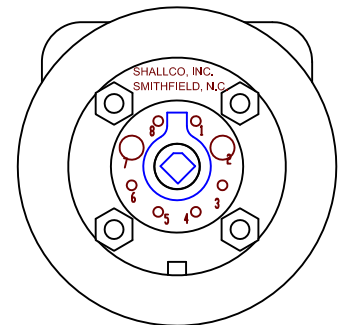
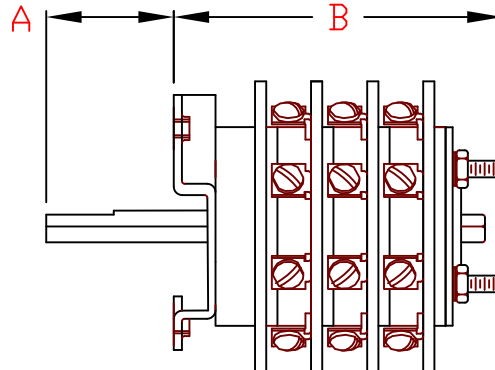
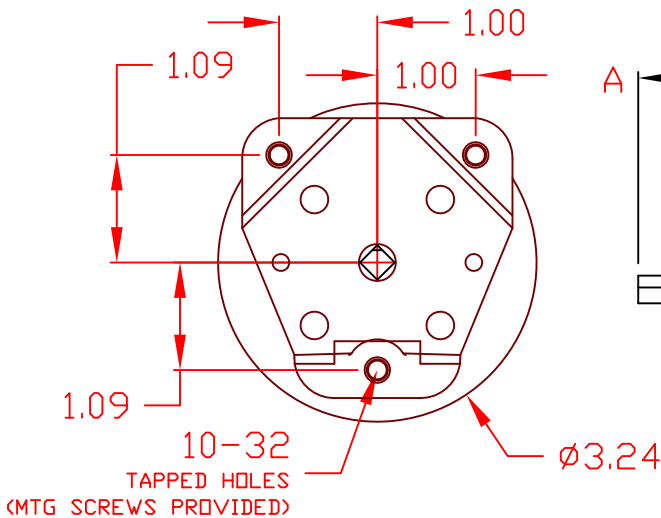
DESCRIPTION	DECK	CONTACTS	POSITION		STOP LOCATION (REAR PANEL)
			OFF	ON	
6 POLE SINGLE THROW "OFF" - "ON" (SPRING RETURN TO "OFF")	1	12-13		X	1 & 7
		16-17		X	
		22-23		X	
	2	26-27		X	
		32-33		X	
		36-37		X	

DESCRIPTION	DECK	CONTACTS	POSITION		STOP LOCATION (REAR PANEL)
			1	2	
6 POLE DOUBLE THROW WITHOUT "OFF" "ON1" - "ON2" (SPRING RETURN TO "ON1")	1	12-11, 12-13	X	X	1 & 7
		16-15, 16-17	X	X	
		22-21, 22-23	X	X	
	2	26-25, 26-27	X	X	
		32-31, 32-33	X	X	
		36-35, 36-37	X	X	

DESCRIPTION	DECK	CONTACTS	POSITION		STOP LOCATION (REAR PANEL)
			1 OFF	2	
4 POLE DOUBLE THROW WITH "OFF" "ON1-OFF-ON2" (SPRING RETURN TO "OFF")	1	11-18	X	X	2 & 7
		12-13	X	X	
		15-14	X	X	
		16-17	X	X	
	2	21-28	X	X	
		22-23	X	X	
		25-24	X	X	
		26-27	X	X	
	3	31-38	X	X	
		32-33	X	X	
		35-34	X	X	
		36-37	X	X	



HANDLE



HANDLE TYPE: B "A" DIM: 1.61 "B" DIM: 3.6



308 COMPONENTS DRIVE  
 SMITHFIELD, NC 27577 USA

**76203B**