

## SHALLCO SERIES 26

Part Number: 76203B 125VDCAXC

### General:

Meets requirements for 1 - 25 ampere switching of resistive loads to .75 power factor at voltages to 600 VAC and 250 VDC resistive loads

### Electrical:

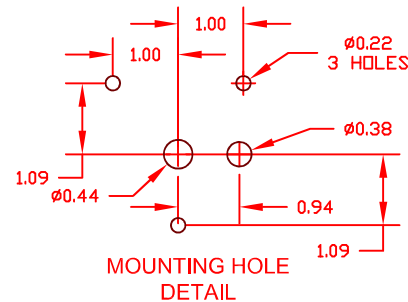
- \* Voltages: 250 V DC, 600 VAC
- \* Current carrying capacity: 25 amperes
- \* Dielectric Withstanding Voltage: 2200 Vrms
- \* Contact Resistance: Initial, 10 milliohms max.
- \* Insulation Resistance: 100 Megohms min., initial
- \* Switch is supplied with a lighted escutcheon plate:  
 Input voltage: 125 VDC (40 - 140 VDC)  
 Wiring: As shown

### Mechanical:

- \* Sections: 3
- \* Positions: 2, Spring Return to Center (Off)
- \* Indexing: 45°
- \* Rotational Life: 65,000 operations

### Materials and Finishes:

- \* Rotors and Stators: Thermoset Plastic, UL 94VO
- \* Rotor contacts: Phosphor bronze
- \* Stator contacts: Silver plated copper, screw type
- \* Terminal hardware: silver plated brass
- \* Exterior Metal: Steel with zinc chromate finish
- \* Knob: thermoset phenolic



DECK	CONTACT	POSITION		
		TRIP	NORMAL	CLOSE
1	18 - 11	X	X	X
	11 - 12	X	X	X
	12 - 13	X	X	X
	14 - 15	X	X	X
	15 - 16	X	X	X
	16 - 17	X	X	X
2	28 - 21	X	X	X
	21 - 22	X	X	X
	22 - 23	X	X	X
	24 - 25	X	X	X
	25 - 26	X	X	X
	26 - 27	X	X	X
3	38 - 31	X	X	X
	31 - 32	X	X	X
	32 - 33	X	X	X
	34 - 35	X	X	X
	35 - 36	X	X	X
	36 - 37	X	X	X

