

SHALLCO SERIES 26 SWITCH MOMENTARY SWITCHES

PART NUMBER: 76202D

Electrical: 15A/600 VAC
 20A/600 VAC (RES)
 25A/125 VAC
 3A/125 VDC
 1A/250 VDC

- * Voltages: 250 V DC, 600 V AC
- * Current carrying capacity: 25 amperes
- * Dielectric Withstanding Voltage: 2200 Vrms
- * Contact Resistance: Initial, 10 milliohms max.
- * Insulation Resistance: 100 Megohms min., initial

Mechanical:

- * Sections: 2
- * Positions: See Tables
- * Indexing: Spring return
- * Handle: Pistol grip
- * Rotational Life: 65,000 operations



Materials and Finishes:

- * Rotors and Stators: Thermoset Plastic, UL 94VO
- * Rotor contacts: Phosphor bronze
- * Stator contacts: Silver plated copper, screw type
- * Terminal hardware: silver plated brass
- * Exterior Metal: Steel with zinc chromate finish

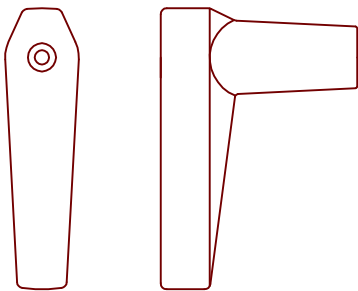
TYPICAL CONTACT TABLES

DESCRIPTION	DECK	CONTACTS	POSITION		STOP LOCATION (REAR PANEL)
			OFF	ON	
<p>4 POLE SINGLE THROW "OFF" - "ON" (SPRING RETURN TO "OFF")</p>	1	12 - 13		X	1 & 7
		16 - 17		X	
	2	22 - 23		X	
		26 - 27		X	

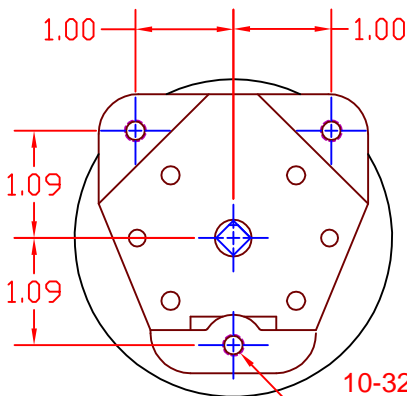
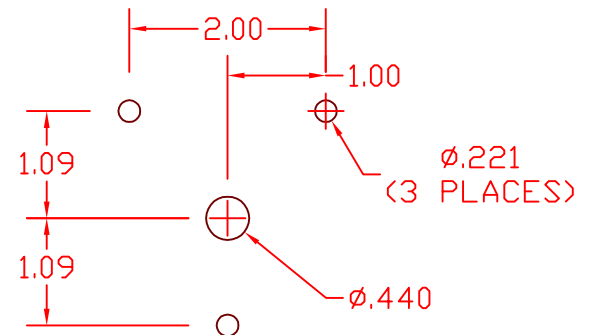
DESCRIPTION	DECK	CONTACTS	POSITION		STOP LOCATION (REAR PANEL)
			1	2	
<p>4 POLE DOUBLE THROW WITHOUT "OFF" "ON1" - "ON2" (SPRING RETURN TO "ON1")</p>	1	12 - 13	X	X	1 & 7
		16 - 17	X	X	
	2	22 - 23	X	X	
		26 - 27	X	X	

DESCRIPTION	DECK	CONTACTS	POSITION		STOP LOCATION (REAR PANEL)
			1	OFF 2	
<p>4 POLE DOUBLE THROW WITH "OFF" "ON1-OFF-ON2" (SPRING RETURN TO "OFF")</p> <p>JUMPERS REQUIRED FOR THIS CONFIGURATION</p>	1	11 - 18	X	X	2 & 7
		12 - 13	X	X	
		15 - 14	X	X	
	2	16 - 17	X	X	
		21 - 28	X	X	
		22 - 23	X	X	

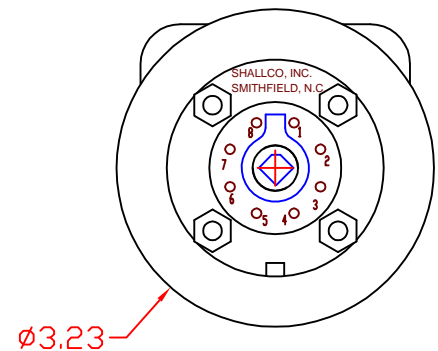
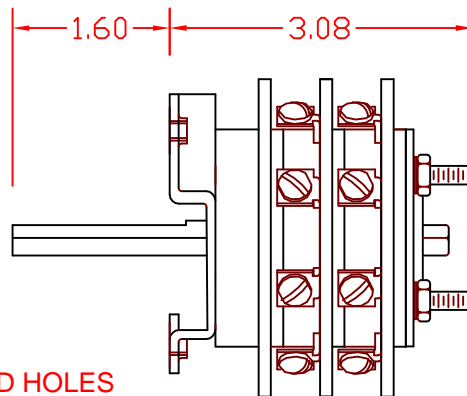
HANDLE



MOUNTING HOLE DETAIL



10-32 TAPPED HOLES (MTG SCREWS PROVIDED)



DESCRIPTION

76202D