

**General:**

Meets requirements for 1 - 25 ampere switching of resistive loads to .75 power factor at voltages to 600 V AC and 250 VDC resistive loads

**Electrical:**

- \* Ratings: 25A/120 VAC
- 15A/600 VAC
- 20A/600 VAC (RESISTIVE)
- 3A/125 VDC
- 1A/250 VDC



- \* Current carrying capacity: 25 amperes
- \* Dielectric Withstanding Voltage: 2200 Vrms
- \* Contact Resistance: Initial, 10 milliohms max.
- \* Insulation Resistance: 100 Megohms min., initial

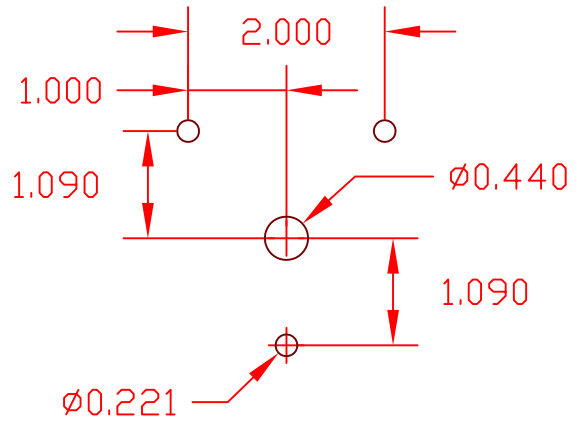
**Mechanical:**

- \* Sections: 1
- \* Positions: 2 or 3 (Adjustable by customer). Shaft will spring return to the rest position. (See Table)
- \* Indexing: 45°
- \* Rotational Life: 65,000 operations

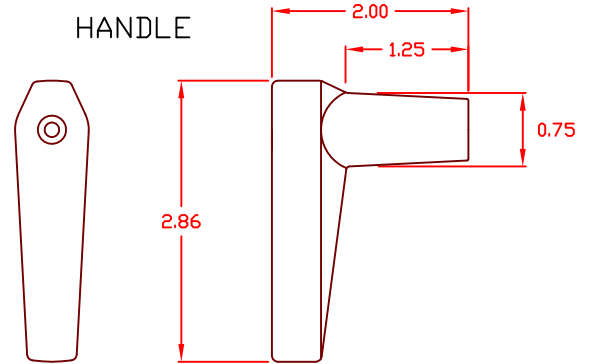
**Materials and Finishes:**

- \* Rotors and Stators: Thermoset Plastic, UL 94VO
- \* Rotor contacts: Phosphor bronze
- \* Stator contacts: Silver plated copper, screw type
- \* Terminal hardware: silver plated brass
- \* Exterior Metal: Steel with zinc chromate finish
- \* Knob: thermoset phenolic

MOUNTING HOLE DETAIL

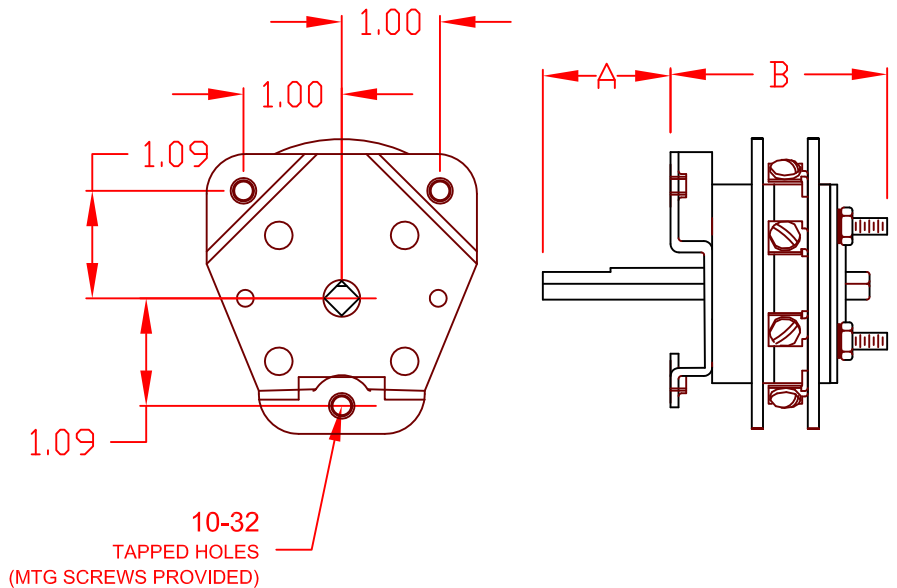


HANDLE



ADJUSTABLE STOPS FOR OPERATION SHOWN

DECK	CONTACTS			POSITION		
	1	2	3	1	2	3
1	18	11	11	X		
	11	12	12		X	
	12	13	13			X
	14	15	15	X		
	15	16	16		X	
	16	17	17			X



**76201D**

REV. A

HANDLE TYPE: PISTOL GRIP "A" DIM: 1.6

"B" DIM: 2.41