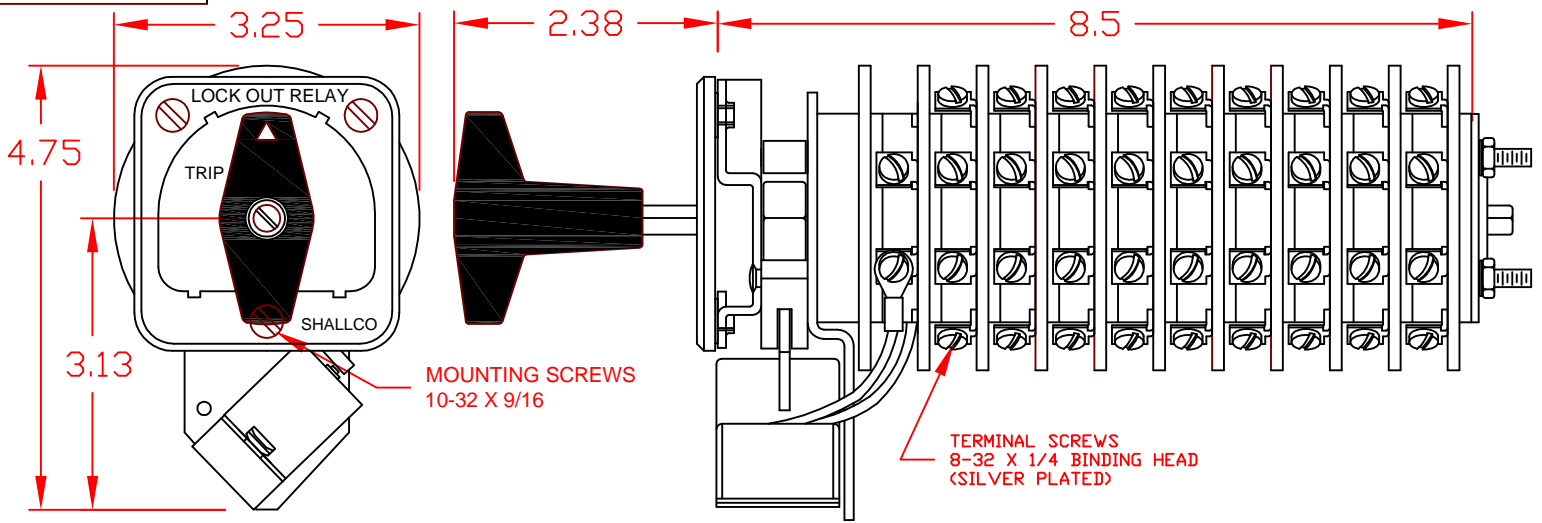


7609B



SPECIFICATIONS:

NO. OF POSITIONS: 2, TRIP AND RESET
 NO. OF SECTIONS: 9
 CONTACTS: 2 NORMALLY OPEN
 2 NORMALLY CLOSED
 PER DECK
 ACTION: 45° POSITIVE TRIP DETENT
 STATIONARY CONTACTS : SILVER OVER COPPER
 NAMEPLATE: AS SHOWN

COIL SPECIFICATIONS:

OPERATING VOLTAGE: 24 VDC
 THRESHOLD VOLTAGE: 9 VDC
 OPERATING RANGE: 18 - 50 VDC
 CURRENT AT RATED VOLTAGE: 3.1 AMPS

ELECTRICAL RATINGS:

25 A/120 VAC 3 A/ 125 VDC
 15 A/240 VAC 1 A/ 250 VDC
 6 A/600 VAC

OVERLOAD CURRENT (50 OPERATIONS):

95 A/120 VAC
 65 A/240 VAC
 35 A/600 VAC

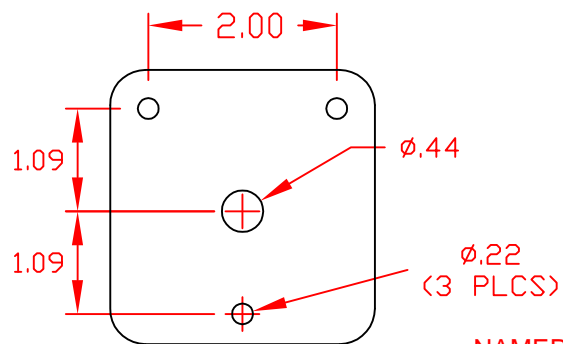
DIELECTRIC STRENGTH: 2200 VRMS

INSULATION RESISTANCE: 100 MEGOHMS INITIAL

CONTACT RESISTANCE: 10 MILLIOHMS MAX. INITIAL

DECK	CONTACTS	POSITION	
		TRIP	RESET
1	11 — o — — — o 13		
	12 — o — — — o 18	X	X
	15 — o — — — o 17	X	X
	16 — o — — — o 14	X	X
2	21 — o — — — o 23		
	22 — o — — — o 28	X	X
	25 — o — — — o 27	X	X
	26 — o — — — o 24	X	X
3	31 — o — — — o 33		
	32 — o — — — o 38	X	X
	35 — o — — — o 37	X	X
	36 — o — — — o 34	X	X
4	41 — o — — — o 43		
	42 — o — — — o 48	X	X
	45 — o — — — o 47	X	X
	46 — o — — — o 44	X	X

DECK	CONTACTS	POSITION	
		TRIP	RESET
5	51 — o — — — o 53		
	52 — o — — — o 58	X	X
	55 — o — — — o 57	X	X
	56 — o — — — o 54	X	X
6	61 — o — — — o 63		
	62 — o — — — o 68	X	X
	65 — o — — — o 67	X	X
	66 — o — — — o 64	X	X
7	71 — o — — — o 73		
	72 — o — — — o 78	X	X
	75 — o — — — o 77	X	X
	76 — o — — — o 74	X	X
8	81 — o — — — o 83		
	82 — o — — — o 88	X	X
	85 — o — — — o 87	X	X
	86 — o — — — o 84	X	X
9	91 — o — — — o 93		
	92 — o — — — o 98	X	X
	95 — o — — — o 97	X	X
	96 — o — — — o 94	X	X



NAMEPLATE AND PANEL DRILLING DIMENSIONS

LOCK-OUT RELAY SPECIFICATION SHEET

7609B



308 COMPONENTS DRIVE
 SMITHFIELD, NC 27577 USA

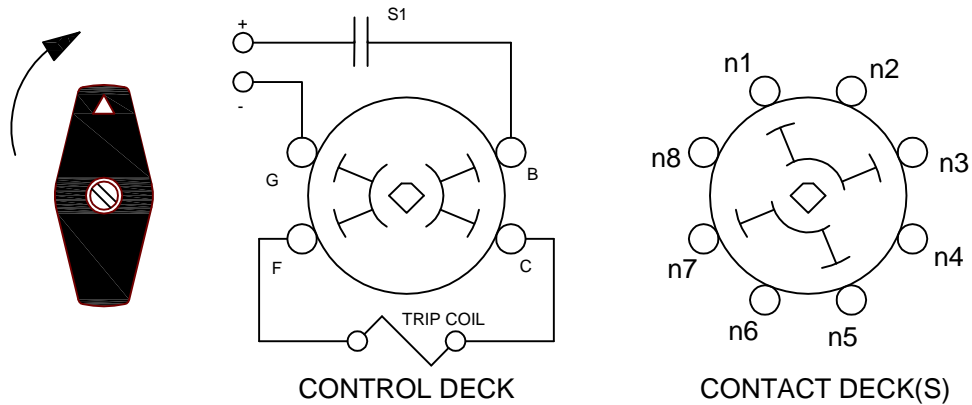
REV.
 ADDITIONAL INFO ON BACK

LOCK-OUT RELAYS (LOR)

GENERAL OPERATION:

THE HANDLE OF THE LOR MUST BE MANUALLY ROTATED CLOCKWISE TO PLACE THE UNIT IN THE "RESET" POSITION (SEE FIGURE A)

FIGURE A - RESET POSITION



WHEN A PREDETERMINED CONDITION EXISTS, A SIGNAL WILL BE SENT TO S1 WHICH WILL ACTIVATE THE COIL AND CAUSE THE LOR TO "TRIP". THE "B" AND "G" CONTACTS ON THE CONTROL DECK PROVIDE THE CONNECTION TO THE CONTROL CIRCUIT THROUGH S1 WHICH CAN BE A CONTACT OF ANY TYPE I.E. SWITCH, RELAY.... THE LOR CONTACTS IN FIGURE "B" ARE IN THE "TRIPPED" POSITION.

THE LOR WILL REMAIN IN THE "TRIPPED" POSITION UNTIL MANUALLY RESET.

FIGURE B - TRIP POSITION

