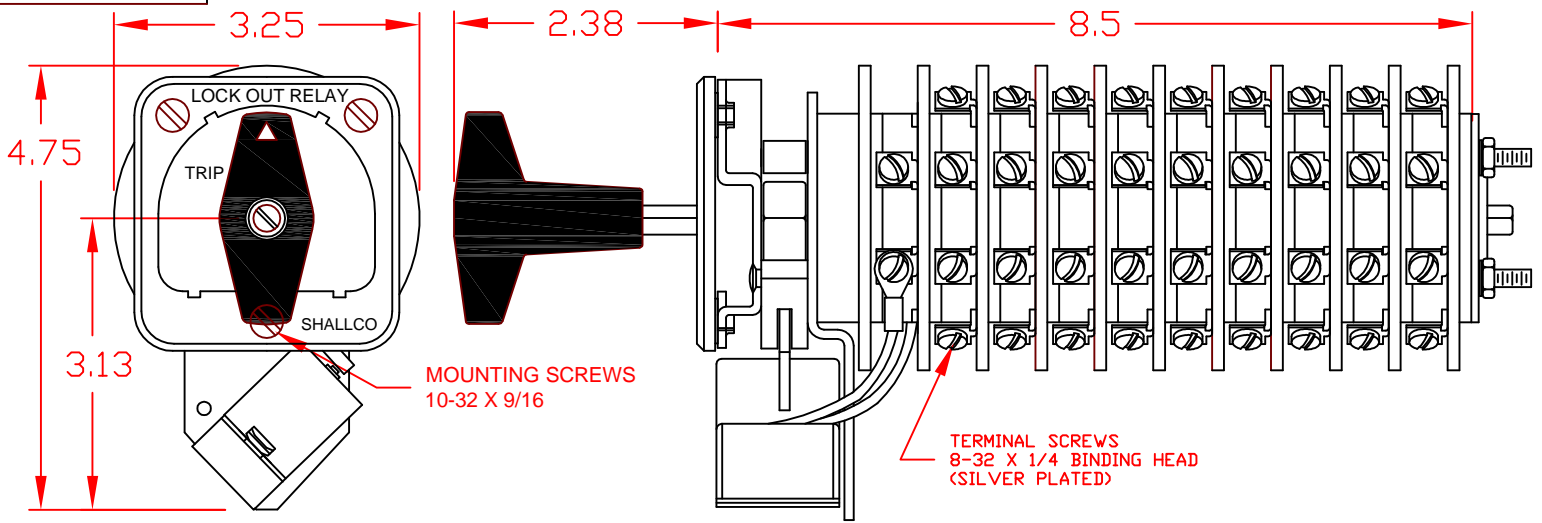


7609A



SPECIFICATIONS:

NO. OF POSITIONS: 2, TRIP AND RESET

NO. OF SECTIONS: 9

CONTACTS: 2 NORMALLY OPEN
2 NORMALLY CLOSED
PER DECK

ACTION: 45° POSITIVE TRIP DETENT
STATIONARY CONTACTS : SILVER OVER COPPER
NAMEPLATE: AS SHOWN

CCOIL SPECIFICATIONS:

OPERATING VOLTAGE: 24 VDC
THRESHOLD VOLTAGE: 6 VDC
OPERATING RANGE: 10 - 40 VDC
CURRENT AT RATED VOLTAGE: 7.3 AMPS

ELECTRICAL RATINGS:

25 A/120 VAC 3 A/ 125 VDC
15 A/240 VAC 1 A/ 250 VDC
6 A/600 VAC

OVERLOAD CURRENT (50 OPERATIONS):

95 A/120 VAC
65 A/240 VAC
35 A/600 VAC

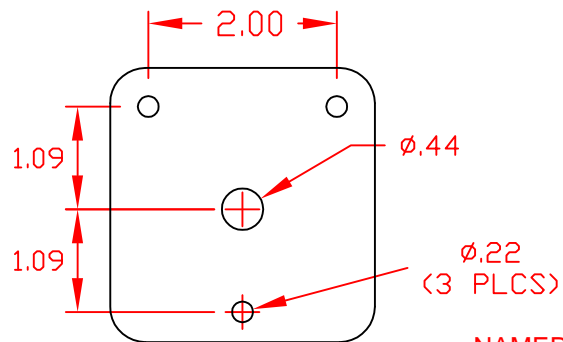
DIELECTRIC STRENGTH: 2200 VRMS

INSULATION RESISTANCE: 100 MEGOHMS INITIAL

CONTACT RESISTANCE: 10 MILLIOHMS MAX. INITIAL

DECK	CONTACTS	POSITION	
		TRIP	RESET
1	11 — o — — — o 13		
	12 — o — — — o 18	X	X
	15 — o — — — o 17	X	X
	16 — o — — — o 14	X	X
2	21 — o — — — o 23		
	22 — o — — — o 28	X	X
	25 — o — — — o 27	X	X
	26 — o — — — o 24	X	X
3	31 — o — — — o 33		
	32 — o — — — o 38	X	X
	35 — o — — — o 37	X	X
	36 — o — — — o 34	X	X
4	41 — o — — — o 43		
	42 — o — — — o 48	X	X
	45 — o — — — o 47	X	X
	46 — o — — — o 44	X	X

DECK	CONTACTS	POSITION	
		TRIP	RESET
5	51 — o — — — o 53		
	52 — o — — — o 58	X	X
	55 — o — — — o 57	X	X
	56 — o — — — o 54	X	X
6	61 — o — — — o 63		
	62 — o — — — o 68	X	X
	65 — o — — — o 67	X	X
	66 — o — — — o 64	X	X
7	71 — o — — — o 73		
	72 — o — — — o 78	X	X
	75 — o — — — o 77	X	X
	76 — o — — — o 74	X	X
8	81 — o — — — o 83		
	82 — o — — — o 88	X	X
	85 — o — — — o 87	X	X
	86 — o — — — o 84	X	X
9	91 — o — — — o 93		
	92 — o — — — o 98	X	X
	95 — o — — — o 97	X	X
	96 — o — — — o 94	X	X



NAMEPLATE AND PANEL DRILLING DIMENSIONS

LOCK-OUT RELAY SPECIFICATION SHEET

7609A



308 COMPONENTS DRIVE
SMITHFIELD, NC 27577 USA

REV.

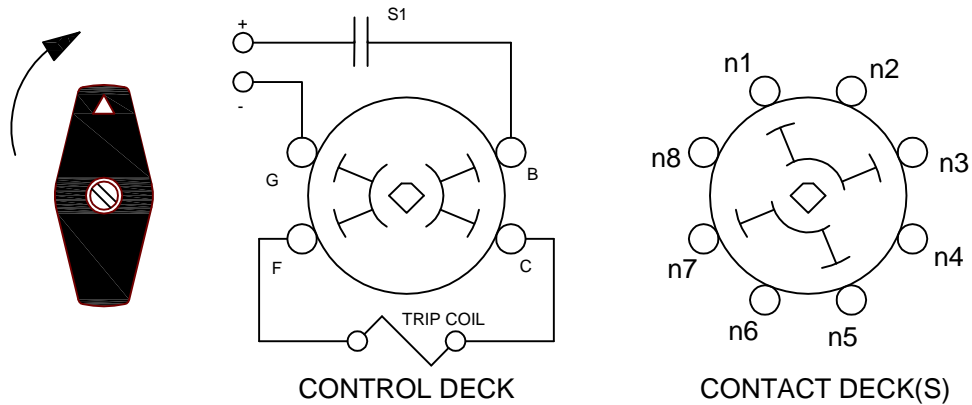
ADDITIONAL INFO ON BACK

LOCK-OUT RELAYS (LOR)

GENERAL OPERATION:

THE HANDLE OF THE LOR MUST BE MANUALLY ROTATED CLOCKWISE TO PLACE THE UNIT IN THE "RESET" POSITION (SEE FIGURE A)

FIGURE A - RESET POSITION



WHEN A PREDETERMINED CONDITION EXISTS, A SIGNAL WILL BE SENT TO S1 WHICH WILL ACTIVATE THE COIL AND CAUSE THE LOR TO "TRIP". THE "B" AND "G" CONTACTS ON THE CONTROL DECK PROVIDE THE CONNECTION TO THE CONTROL CIRCUIT THROUGH S1 WHICH CAN BE A CONTACT OF ANY TYPE I.E. SWITCH, RELAY.... THE LOR CONTACTS IN FIGURE "B" ARE IN THE "TRIPPED" POSITION.

THE LOR WILL REMAIN IN THE "TRIPPED" POSITION UNTIL MANUALLY RESET.

FIGURE B - TRIP POSITION

