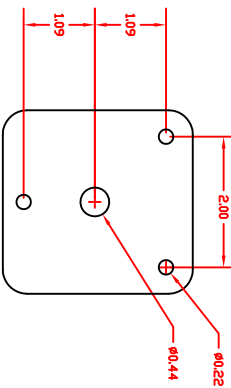
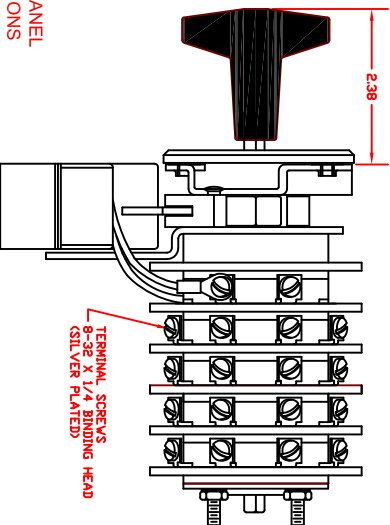
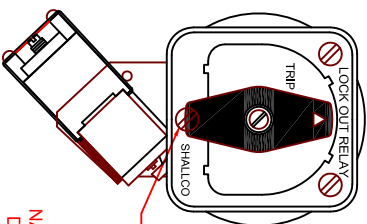
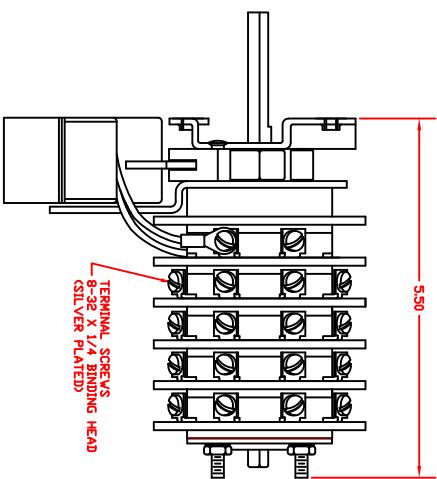
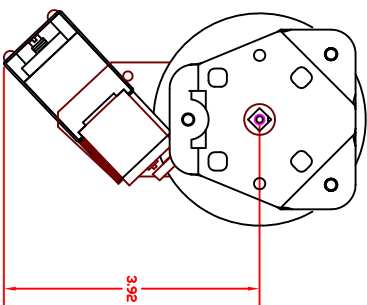


7604G



PART NUMBER 7604G

**SPECIFICATIONS:**

NO. OF POSITIONS: 2, TRIP AND RESET  
 NO. OF SECTIONS: 4  
 CONTACTS: 2 NORMALLY OPEN  
 2 NORMALLY CLOSED  
 PER DECK

ACTION: 45° POSITIVE TRIP DETENT  
 STATIONARY CONTACTS : SILVER OVER COPPER  
 NAMEPLATE: AS SHOWN

**COIL SPECIFICATIONS:**

OPERATING VOLTAGE: 125 VDC  
 THRESHOLD VOLTAGE: 70 VDC  
 OPERATING RANGE: 90 - 140 VDC

THIS LOCK-OUT RELAY IS SUPPLIED WITH A MECHANICAL DELAY CALIBRATED FOR TRIP OPERATION AT 90 VDC WITH A THRESHOLD OF 70 VDC. SEE SHEET 2 FOR VERIFICATION OF PROPER COIL OPERATION

**ELECTRICAL RATINGS:**

25 A/120 VAC  
 15 A/600 VAC  
 20A/600 VAC (RESISTIVE)  
 3 A/125 VDC  
 1 A/250 VDC

**OVERLOAD CURRENT (50 OPERATIONS):**

95 A/120 VAC  
 65 A/240 VAC  
 35 A/600 VAC

**DIELECTRIC STRENGTH: 2200 VRMS**

**INSULATION RESISTANCE: 100 MEGOHMS INITIAL**

**CONTACT RESISTANCE: 10 MILLIOHMS MAX. INITIAL**



DECK	CONTACTS	POSITION	
		TRIP	RESET
1	11 ○ —  —   — ○ 13 12 ○ —  —   — ○ 18 15 ○ —  —   — ○ 17 16 ○ —  —   — ○ 14	X	X
2	21 ○ —  —   — ○ 23 22 ○ —  —   — ○ 28 25 ○ —  —   — ○ 27 26 ○ —  —   — ○ 24	X	X
3	31 ○ —  —   — ○ 33 32 ○ —  —   — ○ 38 35 ○ —  —   — ○ 37 36 ○ —  —   — ○ 34	X	X
4	41 ○ —  —   — ○ 43 42 ○ —  —   — ○ 48 45 ○ —  —   — ○ 47 46 ○ —  —   — ○ 44	X	X

DESCRIPTION

LOCK-OUT RELAY SPECIFICATION SHEET



308 COMPONENTS DRIVE  
 SMITHFIELD, NC 27577 USA

DRAWN P.DORMAN 12-2-13

SCALE 1X

PART NUMBER 7604G

REV. -

LOCK-OUT RELAYS (LOR)  
 GENERAL OPERATION:

THE HANDLE OF THE LOR MUST BE MANUALLY ROTATED CLOCKWISE TO PLACE THE UNIT IN THE "RESET" POSITION (SEE FIGURE A)

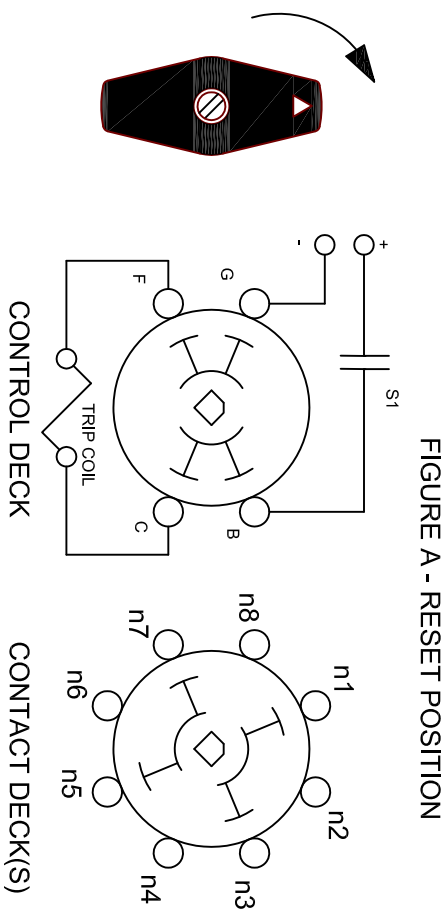


FIGURE A - RESET POSITION

WHEN A PREDETERMINED CONDITION EXISTS, A SIGNAL WILL BE SENT TO S1 WHICH WILL ACTIVATE THE COIL AND CAUSE THE LOR TO "TRIP". THE "B" AND "G" CONTACTS ON THE CONTROL DECK PROVIDE THE CONNECTION TO THE CONTROL CIRCUIT THROUGH S1 WHICH CAN BE A CONTACT OF ANY TYPE I.E. SWITCH, RELAY, ... THE LOR CONTACTS IN FIGURE "B" ARE IN THE "TRIPPED" POSITION.

THE LOR WILL REMAIN IN THE "TRIPPED" POSITION UNTIL MANUALLY RESET.

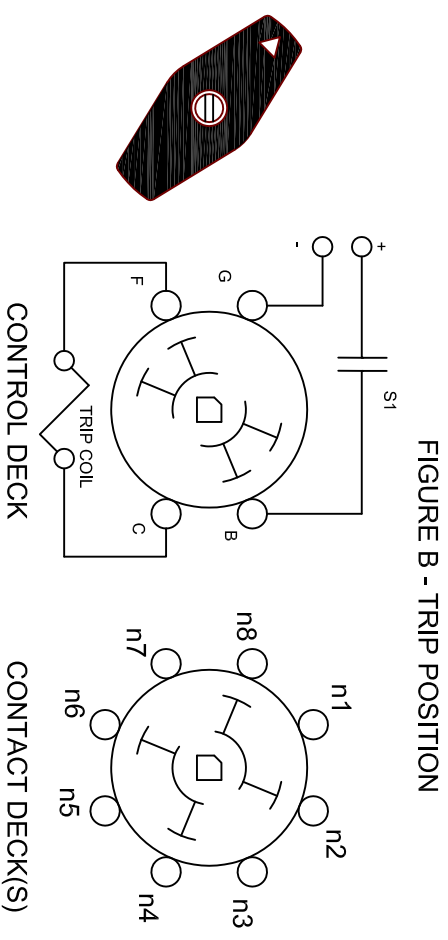


FIGURE B - TRIP POSITION

DESCRIPTION

LOCK-OUT RELAY SPECIFICATION SHEET



308 COMPONENTS DRIVE  
 SMITHFIELD, NC 27577 USA

DRAWN P. DORMAN 12-2-13

SCALE 1X

PART NUMBER

7604G

REV.-