

SPECIFICATIONS:

NO. OF POSITIONS: 2, TRIP AND RESET

NO. OF SECTIONS: 2

CONTACTS: 2 NORMALLY OPEN
2 NORMALLY CLOSED
PER DECK

ACTION: 45° POSITIVE TRIP DETENT

STATIONARY CONTACTS : SILVER OVER COPPER

NAMEPLATE: AS SHOWN

COIL SPECIFICATIONS:

OPERATING VOLTAGE: 250 VDC / 240 VAC

THRESHOLD VOLTAGE: 33 VDC / 40 VAC

OPERATING RANGE: 70 - 280 VDC / 70 - 280 VAC

CURRENT AT RATED VOLTAGE: 2.4 / 2.3 AMPS

ELECTRICAL RATINGS:

25A/120 VAC

15A/600 VAC

20A/600 VAC (RESISTIVE)

3A/125 VDC

1A/250 VDC

OVERLOAD CURRENT (50 OPERATIONS):

95 A/120 VAC

65 A/240 VAC

35 A/600 VAC

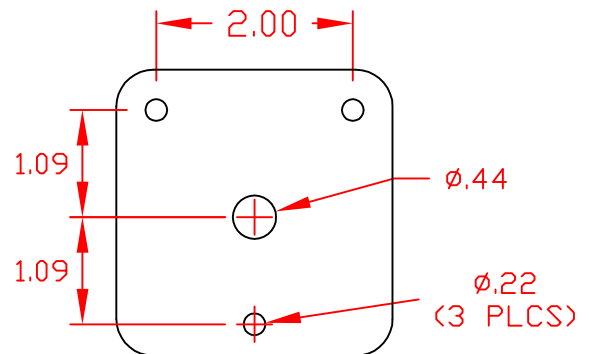
DIELECTRIC STRENGTH: 2200 VRMS

INSULATION RESISTANCE: 100 MEGOHMS INITIAL

CONTACT RESISTANCE: 10 MILLIOHMS MAX. INITIAL

DECK	CONTACTS	POSITION	
		TRIP	RESET
1	11 — — — — 13		X
	12 — — — — 18	X	
	15 — — — — 17		X
	16 — — — — 14	X	

NAMEPLATE AND PANEL DRILLING DIMENSIONS



PART NUMBER

7601F

REV. A



308 COMPONENTS DRIVE
SMITHFIELD, NC 27577 USA

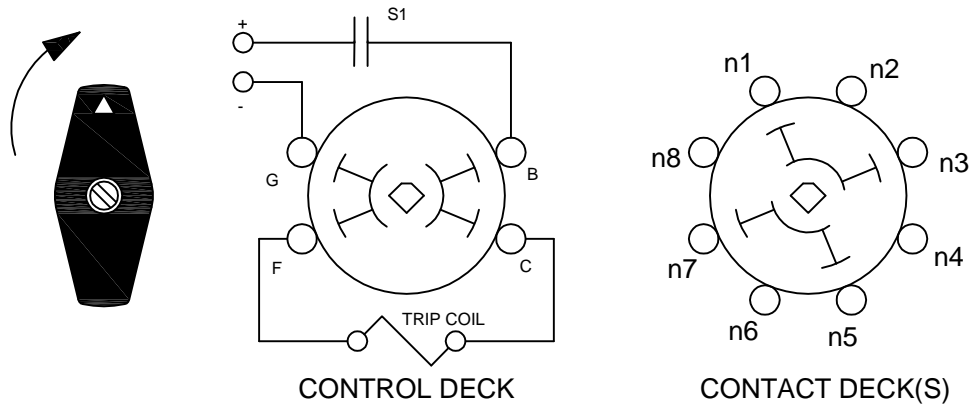
ADDITIONAL INFO ON BACK

LOCK-OUT RELAYS (LOR)

GENERAL OPERATION:

THE HANDLE OF THE LOR MUST BE MANUALLY ROTATED CLOCKWISE TO PLACE THE UNIT IN THE "RESET" POSITION (SEE FIGURE A)

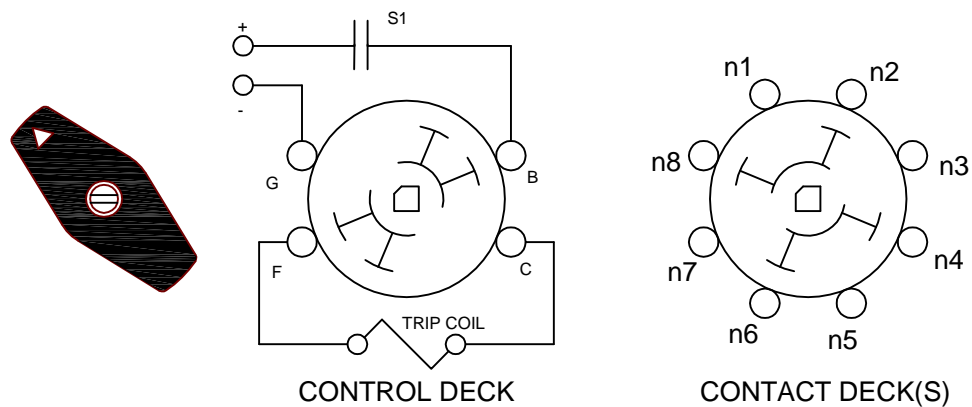
FIGURE A - RESET POSITION



WHEN A PREDETERMINED CONDITION EXISTS, A SIGNAL WILL BE SENT TO S1 WHICH WILL ACTIVATE THE COIL AND CAUSE THE LOR TO "TRIP". THE "B" AND "G" CONTACTS ON THE CONTROL DECK PROVIDE THE CONNECTION TO THE CONTROL CIRCUIT THROUGH S1 WHICH CAN BE A CONTACT OF ANY TYPE I.E. SWITCH, RELAY.... THE LOR CONTACTS IN FIGURE "B" ARE IN THE "TRIPPED" POSITION.

THE LOR WILL REMAIN IN THE "TRIPPED" POSITION UNTIL MANUALLY RESET.

FIGURE B - TRIP POSITION



PART NUMBER

7601F

REV. A