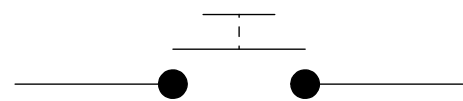
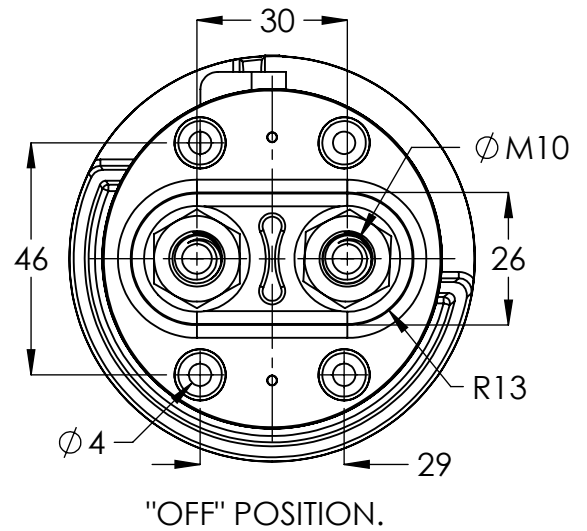
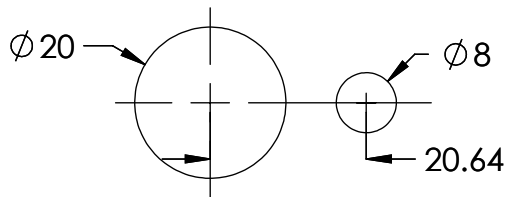


**MOUNTING DETAIL**



Circuit

Technical data:	
Handle Material:	GF Nylon 6
Housing Material:	Zinc Diecast
Case Material:	GP Phenolic
Min. Insulation Resistance:	100 Mohm
Dielectric Withstanding Voltage:	1050V -1min
Voltage Drop Max.:	0.150 mV
Voltage:	to 48 VDC
Duty Rating:	300 A
Overload:	750 A - 180sec. 1,500 A - 30sec.
Sealing:	IP67
Vibration:	4G / 50-2KHz
Shock:	6G / 11ms
Temperature Range:	-40C to +85C
Terminal Torque:	155 in.lb
Mounting Torque:	18 ft.lb

**PROPRIETARY AND CONFIDENTIAL**

This document contains proprietary data for products designed by Shallco, Inc., of Smithfield, NC. No disclosure; reproduction, or use of any part thereof may be made except by written permission.

	NAME	DATE
DRAWN	JRT	12-21-16
CHECKED		
ENG APPR.	RMF	12-21-16
MFG APPR.		
Q.A.		

DIMENSIONS ARE IN INCHES  
TOLERANCES:  
FRACTIONAL ±0.8  
ANGULAR: MACH ± BEND ±  
TWO PLACE DECIMAL ±.25 MM  
THREE PLACE DECIMAL ±.130 MM

**SHALCO**  
308 COMPONENTS DRIVE, SMITHFIELD, NC 27577 USA  
DO NOT SCALE DRAWING

TITLE: **BATTERY SWITCH 300A**

MATERIAL: SEE TECHNICAL DATA FINISH: SEE TECHNICAL DATA  
BLANK WEIGHT: N/A PART WEIGHT: 0.88 lb

SIZE DWG. NO. **502S-300** REV. **A**  
SCALE: 1:1

REV.	DESCRIPTION	DATE	APP'D
	REVISIONS		

DWG NO.: 502S-300