

SHALLCO SERIES 26
Part Number: 26914B-2

General:

Meets requirements for 1 - 25 ampere switching of resistive loads to .75 power factor at voltages to 600 V AC and 250 VDC resistive loads

Electrical:

- * Ratings: 25A/120 VAC
- 15A/600 VAC
- 20A/600 VAC (RESISTIVE)
- 3A/125 VDC
- 1A/250 VDC



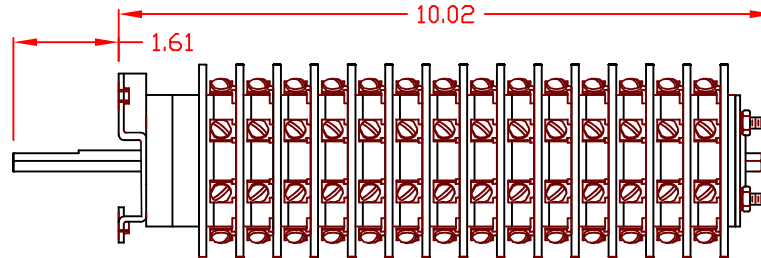
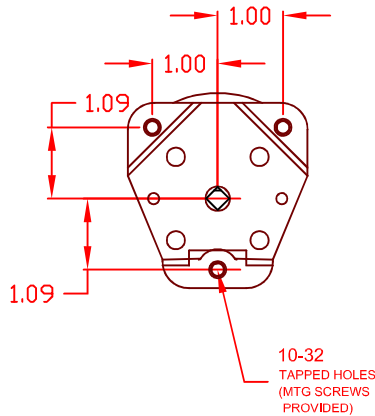
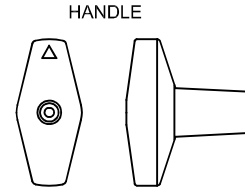
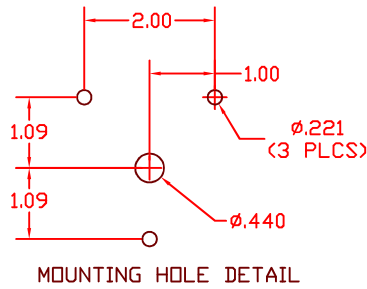
- * Current carrying capacity: 25 amperes
- * Dielectric Withstanding Voltage: 2200 Vrms
- * Contact Resistance: Initial, 10 milliohms max.
- * Insulation Resistance: 100 Megohms min., initial

Mechanical:

- * Sections: 14
- * Positions: 2
- * Indexing: 45°
- * Rotational Life: 65,000 operations

Materials and Finishes:

- * Rotors and Stators: Thermoset Plastic, UL 94VO
- * Rotor contacts: Phosphor bronze
- * Stator contacts: Silver plated copper, screw type
- * Terminal hardware: silver plated brass
- * Exterior Metal: Steel with zinc chromate finish
- * Knob: thermoset phenolic



308 COMPONENTS DRIVE
 SMITHFIELD, NC 27577 USA

DECK	CONTACTS	POS.	
		1	2
1	110-II-II-013	X	
	120-II-II-014		X
	150-II-II-017	X	
	160-II-II-018		X
2	210-II-II-023	X	
	220-II-II-024		X
	250-II-II-027	X	
	260-II-II-028		X
3	310-II-II-033	X	
	320-II-II-034		X
	350-II-II-037	X	
	360-II-II-038		X
4	410-II-II-043	X	
	420-II-II-044		X
	450-II-II-047	X	
	460-II-II-048		X
5	510-II-II-053	X	
	520-II-II-054		X
	550-II-II-057	X	
	560-II-II-058		X
6	610-II-II-063	X	
	620-II-II-064		X
	650-II-II-067	X	
	660-II-II-068		X

DECK	CONTACTS	POS.	
		1	2
7	710-II-II-073	X	
	720-II-II-074		X
	750-II-II-077	X	
	760-II-II-078		X
8	810-II-II-083	X	
	820-II-II-084		X
	850-II-II-087	X	
	860-II-II-088		X
9	910-II-II-093	X	
	920-II-II-094		X
	950-II-II-097	X	
	960-II-II-098		X
10	1010-II-II-1013	X	
	1020-II-II-1014		X
	1050-II-II-1017	X	
	1060-II-II-1018		X
11	1110-II-II-1013	X	
	1120-II-II-1014		X
	1150-II-II-1017	X	
	1160-II-II-1018		X
12	1210-II-II-0123	X	
	1220-II-II-0124		X
	1250-II-II-0127	X	
	1260-II-II-0128		X
13	1310-II-II-0133	X	
	1320-II-II-0134		X
	1350-II-II-0137	X	
	1360-II-II-0138		X
14	1410-II-II-0143	X	
	1420-II-II-0144		X
	1450-II-II-0147	X	
	1460-II-II-0148		X

26914B-2



308 COMPONENTS DRIVE
 SMITHFIELD, NC 27577 USA