

General:

Meets requirements for 1 - 25 ampere switching of resistive loads to .75 power factor at voltages to 600 V AC and 250 V DC resistive loads

Electrical:

- 15A/600 VAC
- 20A/600 VAC (RES)
- 25A/125 VAC
- 3A/125 VDC
- 1A/250 VDC



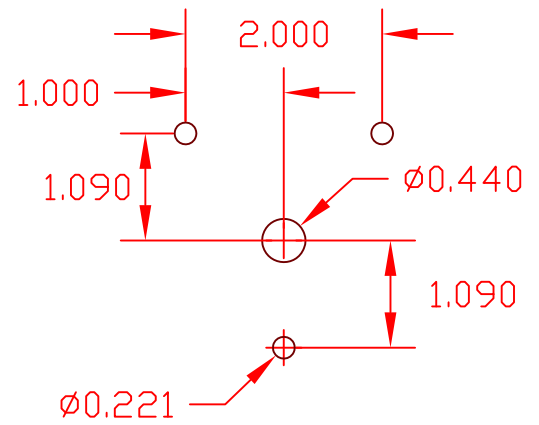
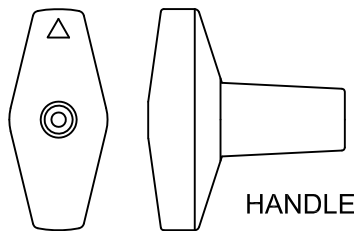
- * Voltages: 250 V DC, 600 V AC
- * Current carrying capacity: 25 amperes
- * Dielectric Withstanding Voltage: 2200 Vrms
- * Contact Resistance: Initial, 10 milliohms max.
- * Insulation Resistance: 100 Megohms min., initial

DECK	CONTACTS				POSITION																			
	11	12	13	14	15	16	17	18	21	22	23	24	25	26	27	28	31	32	33	34	41	42	43	44
1	o				o				o				o				o				o			
2	o				o				o				o				o				o			
3	o				o				o				o				o				o			
4	o				o				o				o				o				o			

CONTACT TABLE

Mechanical:

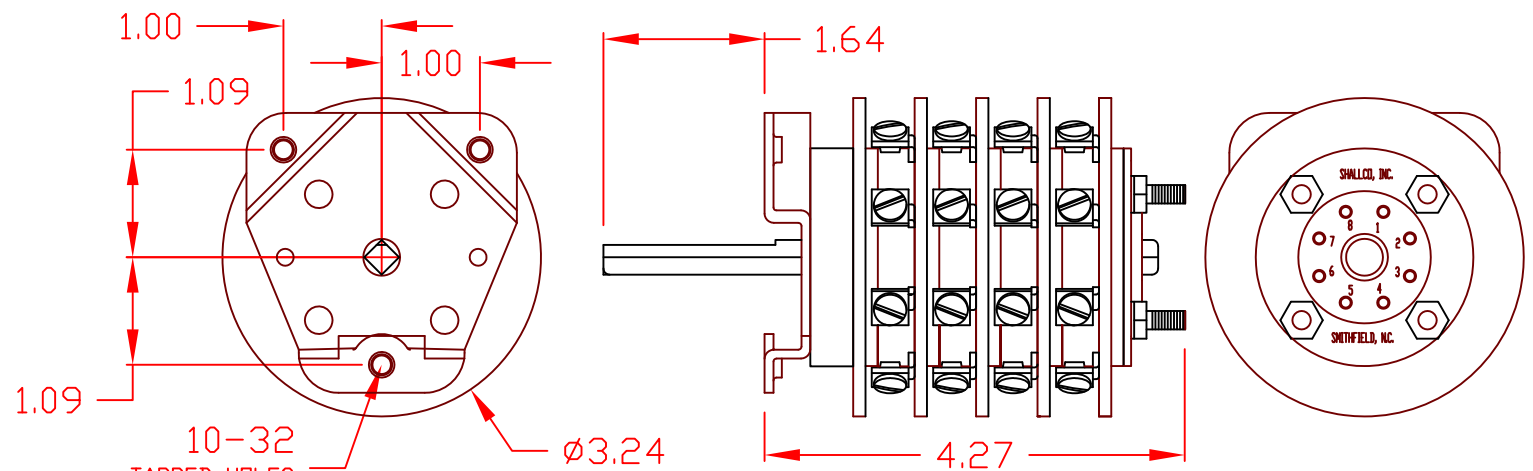
- * Sections: 4
- * Positions: 8 (adjustable)
- * Operation: Non-Shorting
- * Indexing: 45° positive detent
- * Handle: Oval
- * Escutcheon Plate supplied (blank)
- * Rotational Life: 65,000 operations



MOUNTING HOLE DETAIL

Materials and Finishes:

- * Rotors and Stators: Thermoset Plastic, UL 94VO
- * Rotor contacts: Phosphor bronze
- * Stator contacts: Silver plated copper, screw type
- * Terminal hardware: silver plated brass
- * Exterior Metal: Steel with zinc chromate finish



TERMINAL SCREW TIGHTENING TORQUE: : 8 IN-LBS.