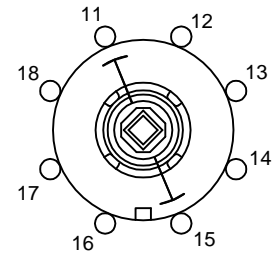


**SHALLCO SERIES 26**  
**Part Number: 26701B**

**General:**

Meets requirements for 1 - 25 ampere switching of resistive loads to .75 power factor at voltages to 600 VAC and 250 VDC resistive loads

- Electrical Ratings:**
- 25A/120 VAC
  - 15A/600 VAC
  - 20A/600 VAC (RES)
  - 3A/125 VDC
  - 1A/250 VDC



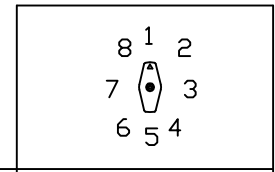
- \* Voltages: 250 V DC, 600 VAC
- \* Current carrying capacity: 25 amperes
- \* Dielectric Withstanding Voltage: 2200 Vrms
- \* Contact Resistance: Initial, 10 milliohms max.
- \* Insulation Resistance: 100 Megohms min., initial

**Mechanical:**

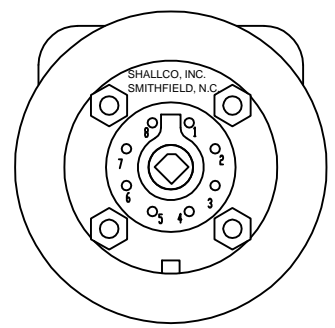
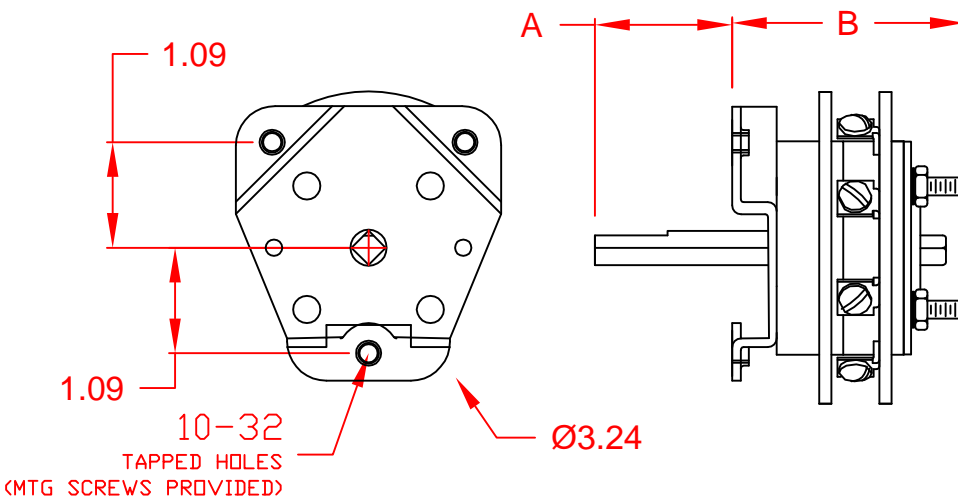
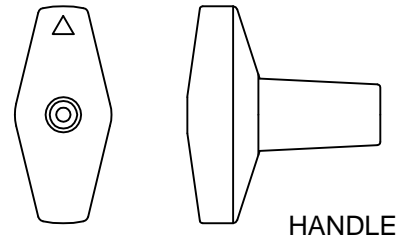
- \* Sections: 1
- \* Positions: 8 (adjustable stops)
- \* Indexing: 45°
- \* Rotational Life: 65,000 operations

**Materials and Finishes:**

- \* Rotors and Stators: Thermoset Plastic, UL 94VO
- \* Rotor contacts: Phosphor bronze
- \* Stator contacts: Silver plated copper, screw type
- \* Terminal hardware: silver plated brass
- \* Exterior Metal: Steel with zinc chromate finish
- \* Knob: thermoset phenolic



DECK	CONTACTS				POSITION							
	11	12	13	14	1	2	3	4	5	6	7	8
1	○	○	○	○	○	○	○	○	○	○	○	○
	○	○	○	○	○	○	○	○	○	○	○	○
	○	○	○	○	○	○	○	○	○	○	○	○
	○	○	○	○	○	○	○	○	○	○	○	○



HANDLE TYPE: B (OVAL)  
 "A" DIM: 1.61  
 "B" DIM: 2.41