

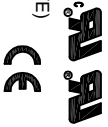
# SHALLCO SERIES 26

Part Number: 2658D 48VDCABC

Description: BREAKER CONTROL SWITCH  
with Lighted Nameplate (48 VDC)

General:  
Meets requirements for 1 - 25 ampere switching of resistive loads to .75 power factor at voltages to 600 V AC and 250 VDC resistive loads

Electrical:  
Ratings: 25A/120 VAC  
15A/600 VAC  
20A/600 VAC (RESISTIVE)  
3A/125 VDC  
1A/250 VDC



\* Current carrying capacity: 25 amperes  
\* Dielectric Withstanding Voltage: 2200 Vrms  
\* Contact Resistance: Initial, 10 milliohms max.  
\* Insulation Resistance: 100 Megohms min., initial

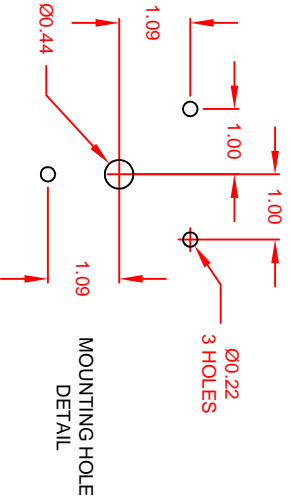
\* Lighted panel voltage 48 VDC

### Mechanical:

\* Sections: 6  
\* Positions: See contact table  
\* Detent type: Decks 1 - 4 spring return with Pull to Lock  
In extreme counter-clockwise position.  
Decks 5 and 6 detented slip contacts  
\* Indexing: 45°  
\* Rotational Life: 65,000 operations

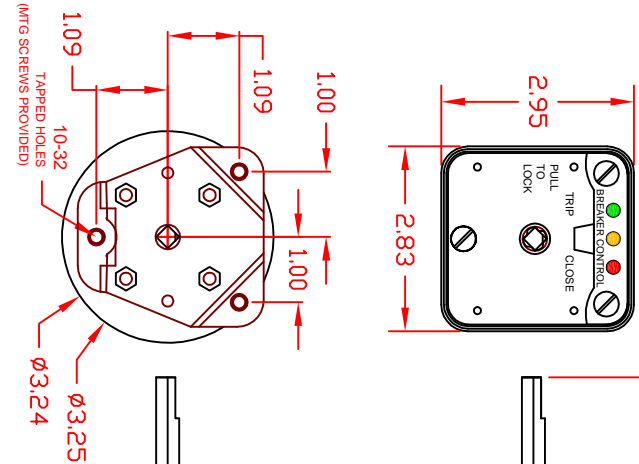
### Materials and Finishes:

\* Rotors and Stators: Thermoset Plastic, UL 94V0  
\* Rotor contacts: Phosphor bronze  
\* Stator contacts: Silver plated copper, screw type  
\* Terminal hardware: silver plated brass  
\* Exterior Metal: Steel with zinc chromate finish  
\* Knob: thermoset phenolic



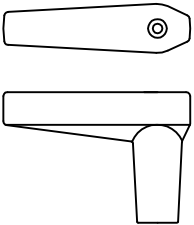
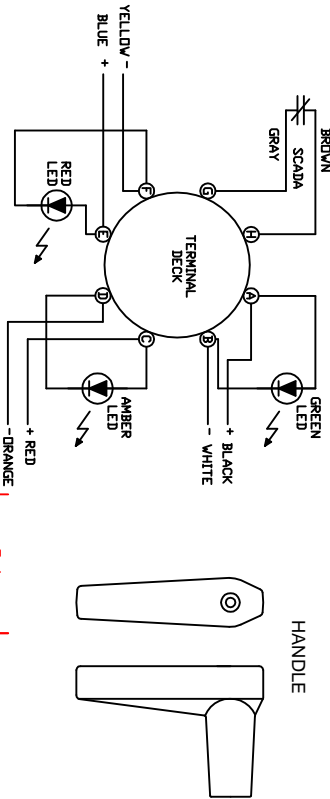
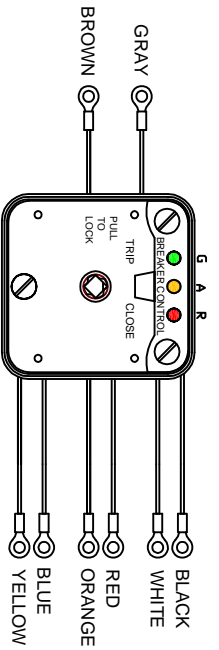
2658D 48VDCABC

308 COMPONENTS DRIVE  
SMITHFIELD, NC 27577 USA



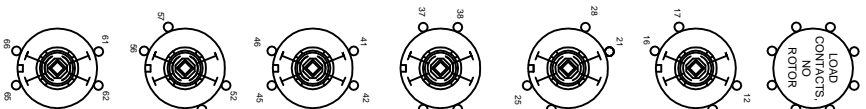
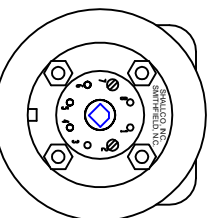
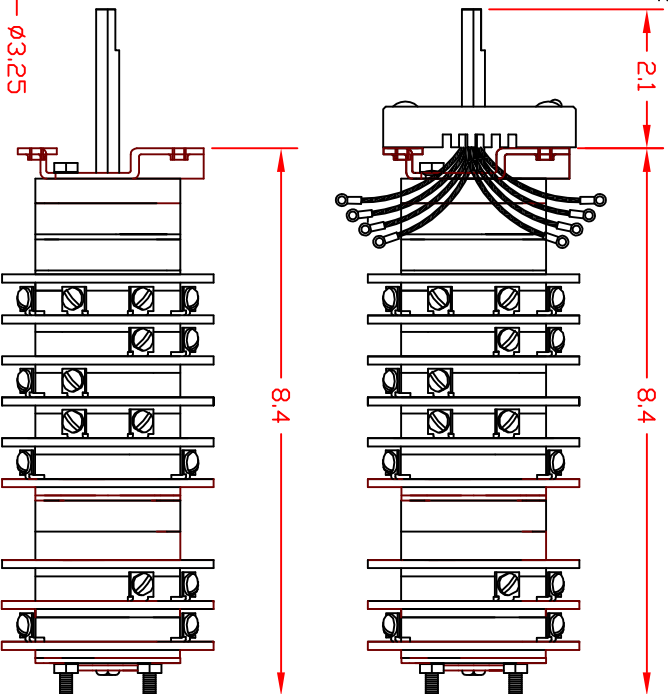
### LIGHTED NAMEPLATE

(WIRE LENGTHS APPROX 20 INCHES)



DECK	CONTACTS	POSITIONS		
		PULL-TL	TRIP	CLOSE
1	120-1-1-1-O13			X
1	160-1-1-1-O17			X
2	210-1-1-1-O28	X		
2	240-1-1-1-O25	X		
3	330-1-1-1-O34	X		
3	370-1-1-1-O38	X		
4	410-1-1-1-O42	X	X	
4	450-1-1-1-O46	X	X	
5	520-1-1-1-O53			X
5	560-1-1-1-O57			X
6	610-1-1-1-O62	X	X	X
6	650-1-1-1-O66	X	X	X

CONTACT TABLE



# SHALLCO