

SHALCO SERIES 26

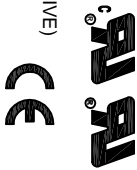
Part Number: 2658D 125VDC/ABC

Description: BREAKER CONTROL SWITCH
with Lighted Nameplate (125 VDC)

General:
Meets requirements for 1 - 25 ampere switching of resistive loads to .75 power factor at voltages to 600 V AC and 250 VDC resistive loads

Electrical:

- * Ratings: 25A/120 VAC
15A/600 VAC
- * 20A/600 VAC (RESISTIVE)
- * 3A/125 VDC
1A/250 VDC
- * Current carrying capacity: 25 amperes
- * Dielectric Withstanding Voltage: 2200 Vrms
- * Contact Resistance: Initial, 10 milliohms max.
- * Insulation Resistance: 100 Megohms min., initial



Mechanical:

- * Sections: 6
- * Positions: See contact table
- * Dent type: Decks 1 - 4 spring return with Pull to Lock in extreme counter-clockwise position.
Decks 5 and 6 detented slip contacts
- * Indexing: 45°
- * Rotational Life: 65,000 operations

Materials and Finishes:

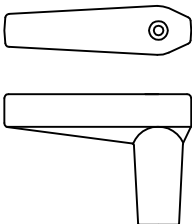
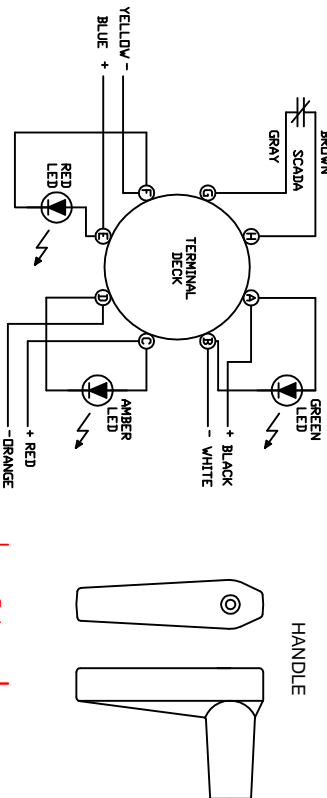
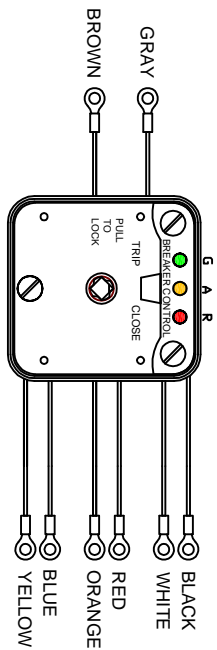
- * Rotors and Stators: Thermoset Plastic, UL 94V0
- * Rotor contacts: Phosphor bronze
- * Stator contacts: Silver plated copper, screw type
- * Terminal hardware: silver plated brass
- * Exterior Metal: Steel with zinc chromate finish
- * Knob: thermoset phenolic

2658D 125VDC/ABC

308 COMPONENTS DRIVE
SMITHFIELD, NC 27577 USA

LIGHTED NAMEPLATE

(WIRE LENGTHS APPROX 20 INCHES)



DECK	CONTACTS	POSITIONS		
		PULL-TL	TRIP	nat nac CLOSE
1	120-1-1-013			X
1	160-1-1-017			X
2	210-1-1-028	X		X
2	240-1-1-025		X	
3	330-1-1-034	X		
3	370-1-1-038	X		
4	410-1-1-042		X	X
4	450-1-1-046		X	X
5	520-1-1-053			X
5	560-1-1-057			X
6	610-1-1-062		X	X
6	650-1-1-066		X	X

CONTACT TABLE

