

SHALCO SERIES 26 SWITCH

PART NUMBER: 2657D 125VDCACC

DESCRIPTION:

*NUMBER OF DECKS: 5 ACTIVE

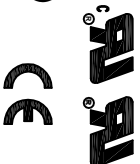
*NUMBER OF POSITIONS: 3, 1 POSITION BOTH LEFT AND RIGHT WITH SPRING RETURN TO CENTER (REST) POSITION. DECKS 4 AND 5 HAVE SLIP CONTACTS PER THE CONTACT DIAGRAM

* ESCUTCHION PLATE: LIGHTED, 30 - 140 VDC

*HANDLE TYPE: D (PISTOL GRIP)

*RATINGS:

- 25A/120 VAC
- 15A/600 VAC
- 20A/600 VAC (RESISTIVE)
- 3A/125 VDC
- 1A/250 VDC

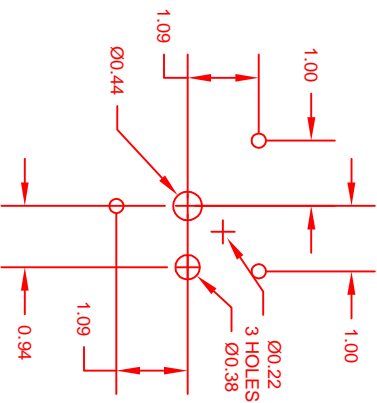


* DIELECTRIC STRENGTH: 2200 VRMS

* INSULATION RESISTANCE: 100 MEGOHMS MINIMUM INITIAL

* CONTACT RESISTANCE: 10 MILLIOHMS INITIAL

DECK	CONTACTS	TRIP	POS. nat	POS. nac	POS. CLOSE
1	120-1-1-0-13				X
1	160-1-1-0-17				X
2	210-1-1-0-28	X			
2	240-1-1-0-25	X			
3	310-1-1-0-32		X		
3	350-1-1-0-36		X		
4	420-1-1-0-43		X		X
4	460-1-1-0-47		X		X
5	510-1-1-0-52		X		X
5	550-1-1-0-56		X		X



Mounting Hole Detail

