

# 2657D 125VACAXC

SHALCO SERIES 26 SWITCH

PART NUMBER: 2657D 125VACAXC

DESCRIPTION:

- \*NUMBER OF DECKS: 5 ACTIVE
- \*NUMBER OF POSITIONS: 3, 1 POSITION BOTH LEFT AND RIGHT WITH SPRING RETURN TO CENTER (REST) POSITION. DECKS 4 AND 5 HAVE SLIP CONTACTS PER THE CONTACT DIAGRAM

ESCUTCHEON PLATE: LIGHTED, 125 VAC

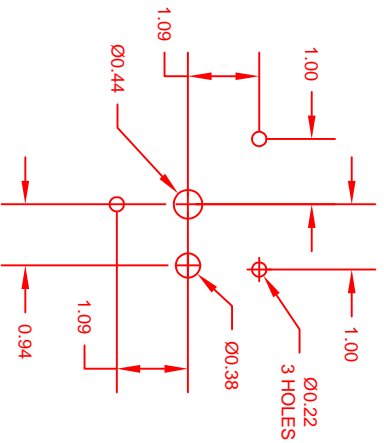
\*HANDLE TYPE: D (PISTOL GRIP)

\*RATINGS:

- 25A/120 VAC
- 15A/600 VAC
- 20A/600 VAC (RESISTIVE)
- 3A/125 VDC
- 1A/250 VDC

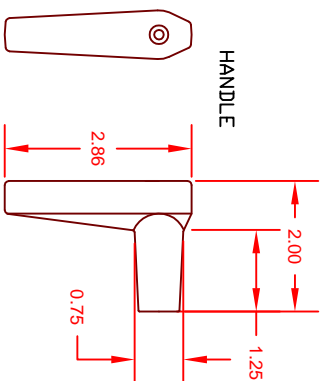
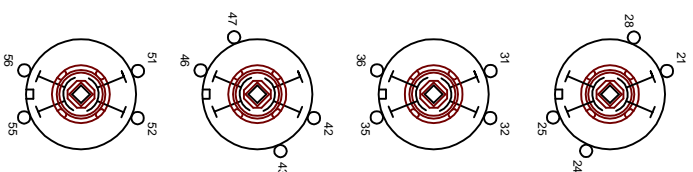
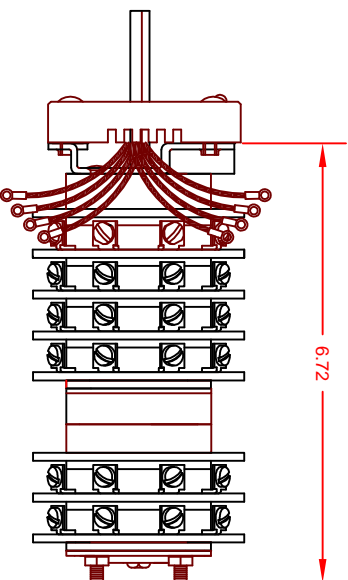
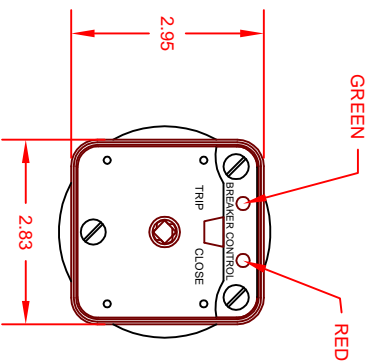
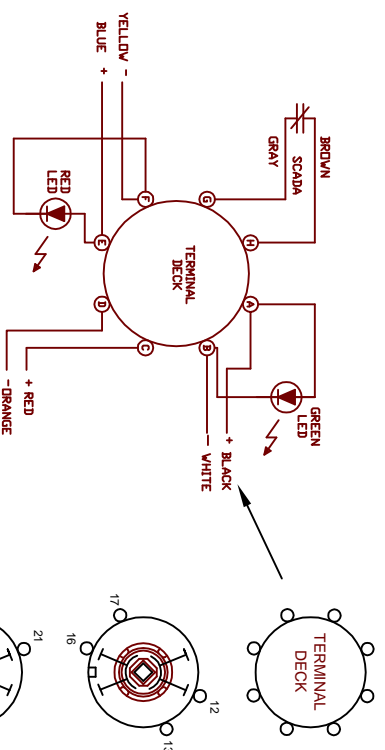


- \*DIELECTRIC STRENGTH: 2200 VRMS
- \*INSULATION RESISTANCE: 100 MEGOHMS MINIMUM INITIAL
- \*CONTACT RESISTANCE: 10 MILLIOHMS INITIAL



MOUNTING HOLE DETAIL

DECK	CONTACTS	TRIP	POS.		
			nat	nac	CLOSE
1	120-1-1-O13				X
	160-1-1-O17				X
2	210-1-1-O28	X			
	240-1-1-O25	X			
3	310-1-1-O32		X	X	
	350-1-1-O36		X	X	
4	420-1-1-O43		X	X	
	460-1-1-O47		X	X	
5	510-1-1-O52	X	X		
	550-1-1-O56	X	X		



HANDLE

DESCRIPTION

2657D 125VACAXC