

**SHALLCO SERIES 26**

**Part Number:** 2652D 125VDCAXC

**General:**

Meets requirements for 1 - 25 ampere switching of resistive loads to .75 power factor at voltages to 600 V AC and 250 VDC resistive loads

**Electrical:**

- \* Ratings: 25A/120 VAC
- 15A/600 VAC
- 20A/600 VAC (RESISTIVE)
- 3A/125 VDC
- 1A/250 VDC



- \* Current carrying capacity: 25 amperes
- \* Dielectric Withstanding Voltage: 2200 Vrms
- \* Contact Resistance: Initial, 10 milliohms max.
- \* Insulation Resistance: 100 Megohms min., initial

\*Lighted panel voltage 24 to 140 VDC

**Mechanical:**

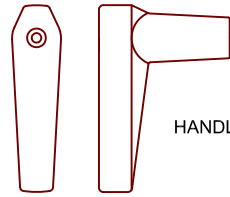
- \* Sections: 5
- \* Positions: See contact table
- \* Type Action: Shorting & Nonshorting
- Detent type: Sections 1, 2, 3 & 4 - Spring Return
- Detent type: Section 5, Slip Detent
- \* Indexing: 45°
- \* Rotational Life: 65,000 operations

**Materials and Finishes:**

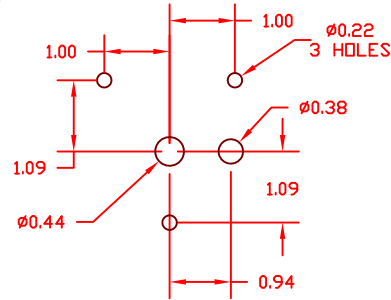
- \* Rotors and Stators: Thermoset Plastic, UL 94VO
- \* Rotor contacts: Phosphor bronze
- \* Stator contacts: Silver plated copper, screw type
- \* Terminal hardware: silver plated brass
- \* Exterior Metal: Steel with zinc chromate finish
- \* Knob: thermoset phenolic



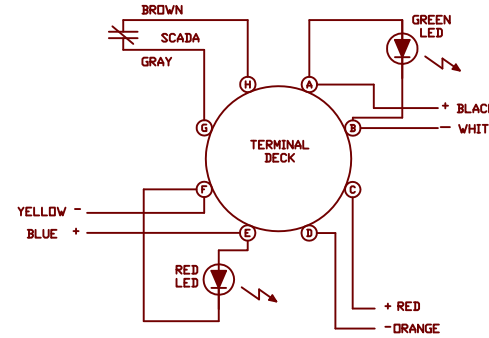
308 COMPONENTS DRIVE  
SMITHFIELD, NC 27577 USA



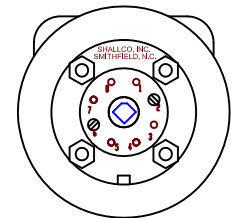
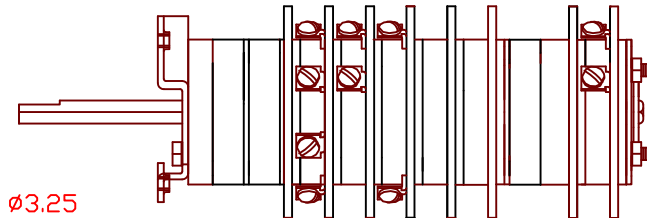
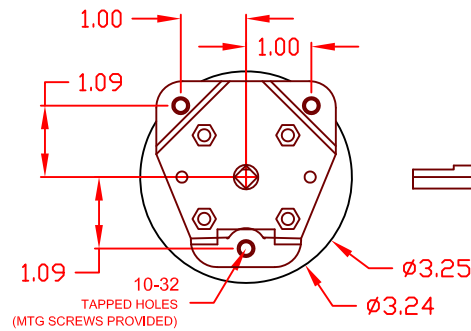
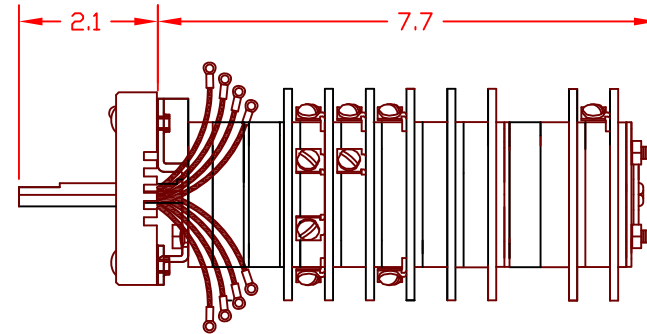
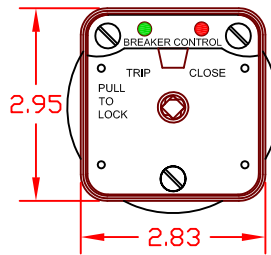
HANDLE



MOUNTING HOLE DETAIL



DECK	CONTACTS				POSITION				
	12	16	21	25	PULL -TL	TRIP	nat	res	CLOSE
1	12	16	21	25					
2	31	41	52	56					
3	13	17	22	26					
4	38	48	53	57					
5									



2652D 125VDCAXC



308 COMPONENTS DRIVE  
SMITHFIELD, NC 27577 USA