

PART NUMBER: 2650D
 DESCRIPTION: BREAKER CONTROL SWITCH

NUMBER OF DECKS: ACTIVE
 NUMBER OF POSITIONS: 4
 EXTREME COUNTERCLOCKWISE POSITION IS LOCKABLE BY PULLING SHAFT OUTWARD
 POSITION 3 IS REST. WHEN SWITCH IS NOT IN THE "LOCKED" POSITION, SHAFT WILL RETURN TO THE REST POSITION
 SCHEMATIC: AS SHOWN IN CONTACT TABLE
 DECKS 1 & 3 ARE MAKE-BEFORE-BREAK

HANDLE TYPE: D (PISTOL GRIP)

RATINGS:



- 25A/120 VAC
- 15A/600 VAC
- 20A/600 VAC (RESISTIVE)
- 3A/125 VDC
- 1A/250 VDC

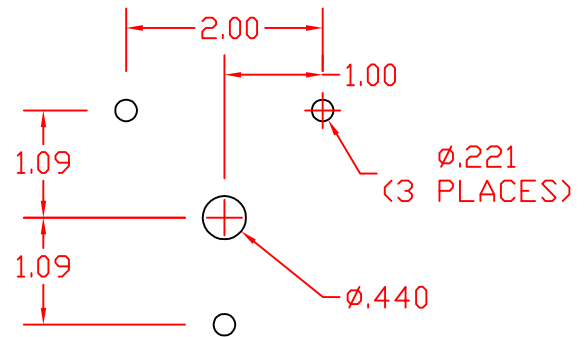
DIELECTRIC STRENGTH: 2200 VRMS

INSULATION RESISTANCE: 100 MEGOHMS
 MINIMUM INITIAL

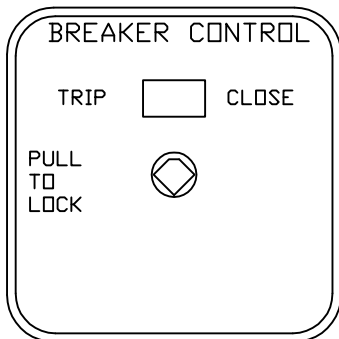
CONTACT RESISTANCE: 10 MILLIOHMS INITIAL

DECK	CONTACTS				POSITION				
					PULL TO LOCK	TRIP	nat	nac	CLOSE
1	11	12	13	18	X	X			
2	22	23	24	23					X
	26	27	28	27					X
3	31	32	33	35	X	X	X	X	X

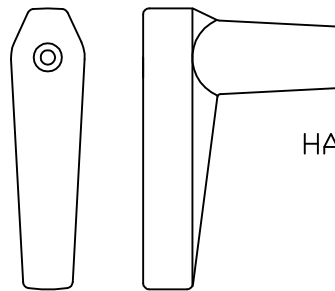
NOTE: DECKS 1 AND 3 ARE MAKE-BEFORE-BREAK



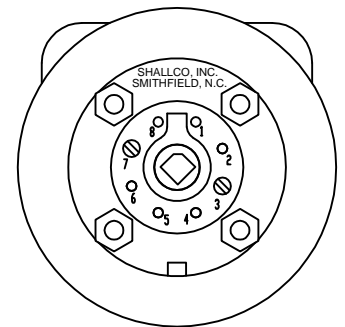
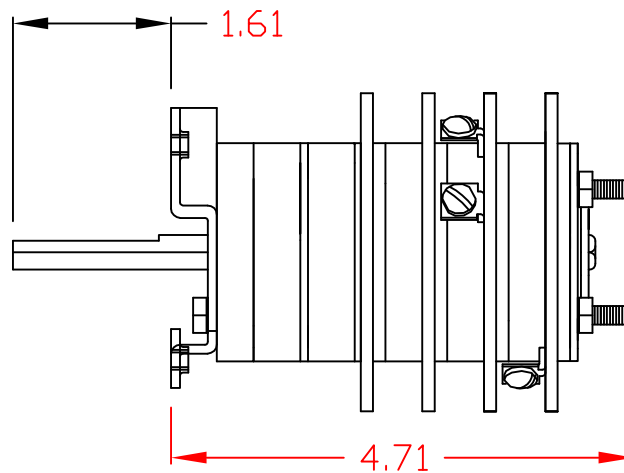
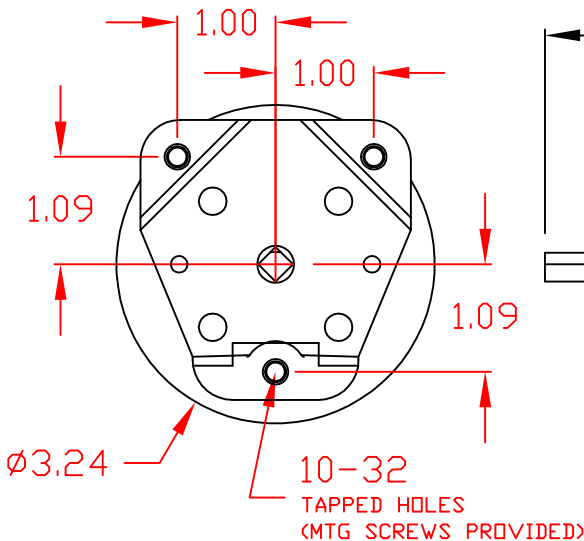
MOUNTING HOLE
 DETAIL



ESCUTCHEON PLATE



HANDLE



CUSTOMER REFERENCE: TERMINAL SCREW TIGHTENING TORQUE:: 8 IN-LBS.

DESCRIPTION **2650D**