

SHALLCO SERIES 26

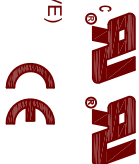
Part Number: 2650D 48VDCACX

General:

Meets requirements for 1 - 25 ampere switching of resistive loads to .75 power factor at voltages to 600 V AC and 250 VDC resistive loads

Electrical:

- * Ratings: 25A/120 VAC
- 15A/600 VAC
- 20A/600 VAC (RESISTIVE)
- 3A/125 VDC
- 1A/250 VDC



- * Current carrying capacity: 25 amperes
- * Dielectric Withstanding Voltage: 2200 Vrms
- * Contact Resistance: Initial, 10 milliohms max.
- * Insulation Resistance: 100 Megohms min., Initial

* Lighted panel voltage 48 VDC

Mechanical:

- * Sections: 3
- * Positions: See contact table
- * Detent type: Spring return with Pull to Lock in extreme counter-clockwise position.
- * Indexing: 45°
- * Rotational Life: 65,000 operations

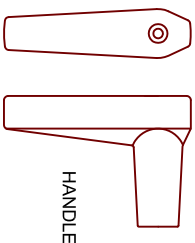
Materials and Finishes:

- * Rotors and Stators: Thermoset Plastic, UL 94V0
- * Rotor contacts: Phosphor bronze
- * Stator contacts: Silver plated copper, screw type
- * Terminal hardware: silver plated brass
- * Exterior Metal: Steel with zinc chromate finish
- * Knob: thermoset phenolic

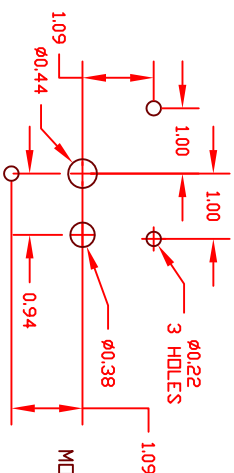
2650D 48VDCACX



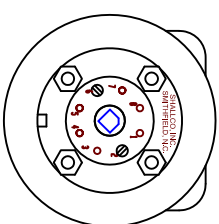
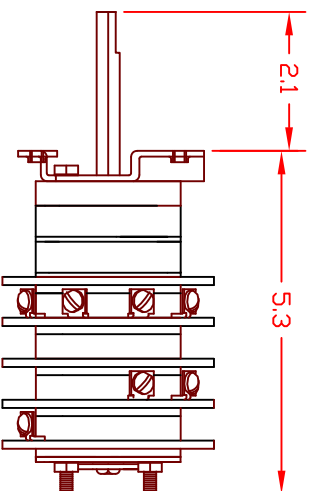
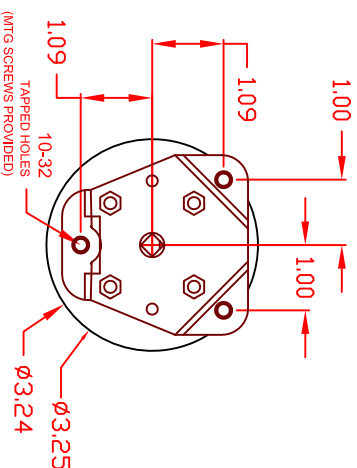
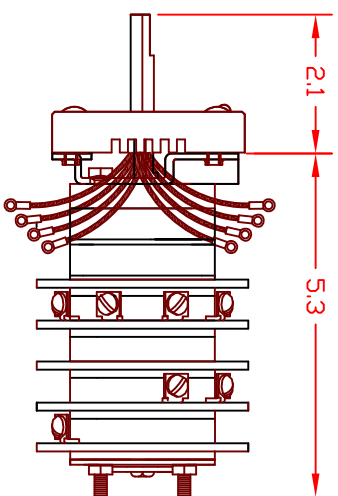
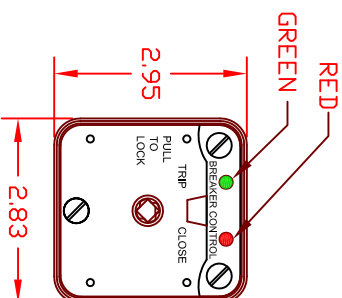
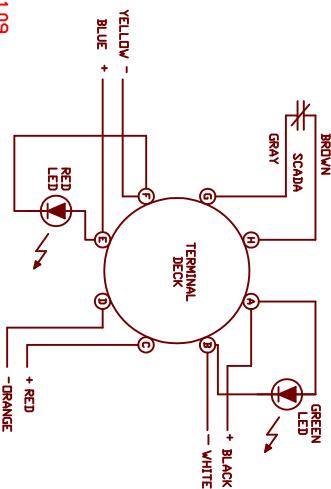
308 COMPONENTS DRIVE
SMITHFIELD, NC 27577 USA



HANDLE



MOUNTING HOLE DETAIL



DECK	CONTACTS	POSITION
1	110	PULL TO LOCK
1	220	TRIP
1	260	nat
1	260	nac
1	310	CLOSE
2	110	
2	220	
2	260	
2	310	
3	110	
3	220	
3	260	
3	310	

NOTE: DECKS 1 AND 3 ARE NAME-BEFORE-BREAK



308 COMPONENTS DRIVE
SMITHFIELD, NC 27577 USA