

# SHALLCO SERIES 26

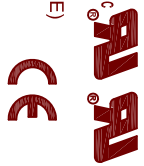
**Part Number: 2650D 24VDCACXC**

**General:**

Meets requirements for 1 - 25 ampere switching of resistive loads to .75 power factor at voltages to 600 V AC and 250 VDC resistive loads

**Electrical:**

- \* Ratings: 25A/120 VAC
- 15A/600 VAC
- 20A/600 VAC (RESISTIVE)
- 3A/125 VDC
- 1A/250 VDC



- \* Current carrying capacity: 25 amperes
- \* Dielectric Withstanding Voltage: 2200 Vrms
- \* Contact Resistance: Initial, 10 milliohms max.
- \* Insulation Resistance: 100 Megohms min., Initial
- \* Lighted panel voltage 24 to 140 VDC

**Mechanical:**

- \* Sections: 3
- \* Positions: See contact table
- \* Detent type: Spring return with Pull to Lock in extreme counter-clockwise position.
- \* Indexing: 45°
- \* Rotational Life: 65,000 operations

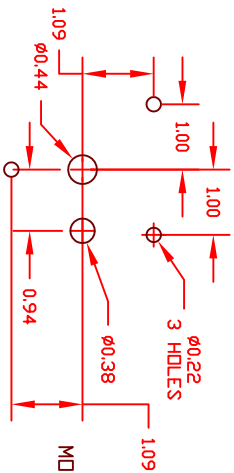
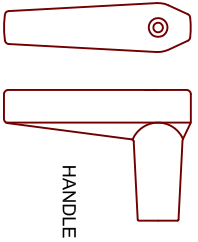
**Materials and Finishes:**

- \* Rotors and Stators: Thermoset Plastic, UL 94V0
- \* Rotor contacts: Phosphor bronze
- \* Stator contacts: Silver plated copper, screw type
- \* Terminal hardware: silver plated brass
- \* Exterior Metal: Steel with zinc chromate finish
- \* Knob: thermoset phenolic

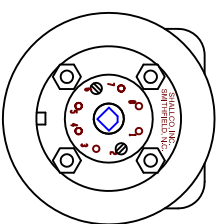
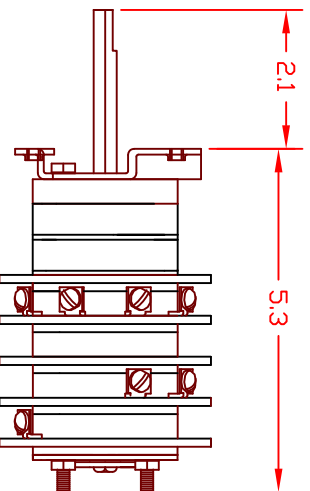
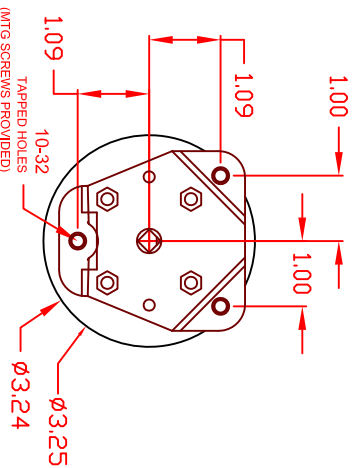
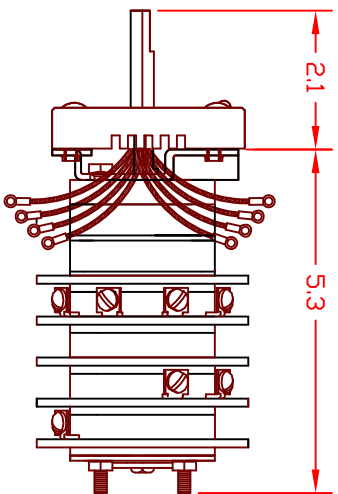
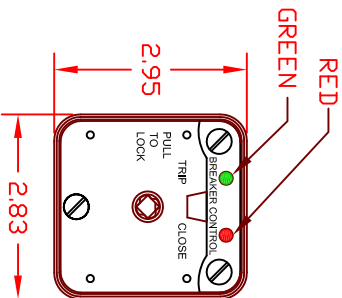
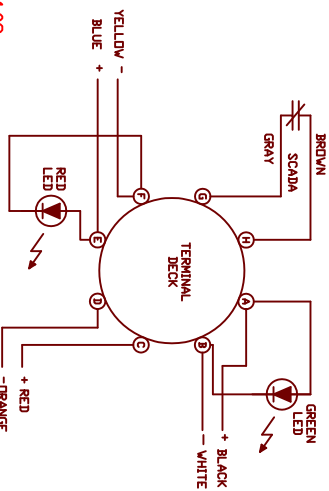
2650D 24VDCACXC



308 COMPONENTS DRIVE  
SMITHFIELD, NC 27577 USA



MOUNTING HOLE DETAIL



DECK	CONTACTS	POSITION
1	110	PULL TO LOCK
	220	TRIP
2	260	nat
		nac
3	310	CLOSE

NOTE: DECKS 1 AND 3 ARE NAME BEFORE BREAK



308 COMPONENTS DRIVE  
SMITHFIELD, NC 27577 USA