

**General:**

Meets requirements for 1 - 25 ampere switching of resistive loads to .75 power factor at voltages to 600 V AC and 250 VDC resistive loads

**Electrical:**

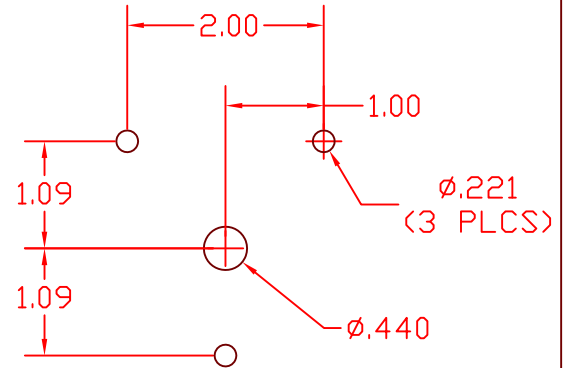
- \* Ratings: 25A/120 VAC  
15A/600 VAC  
20A/600 VAC (RESISTIVE)  
3A/125 VDC  
1A/250 VDC
- \* Current carrying capacity: 25 amperes
- \* Dielectric Withstanding Voltage: 2200 Vrms
- \* Contact Resistance: Initial, 10 milliohms max.
- \* Insulation Resistance: 100 Megohms min., initial

**Mechanical:**

- \* Sections: 8
- \* Positions: 4 (ON-ON-ON-ON) See Table
- \* Indexing: 45°
- \* Rotational Life: 65,000 operations

**Materials and Finishes:**

- \* Rotors and Stators: Thermoset Plastic, UL 94VO
- \* Rotor contacts: Phosphor bronze
- \* Stator contacts: Silver plated copper, screw type
- \* Terminal hardware: silver plated brass
- \* Exterior Metal: Steel with zinc chromate finish
- \* Knob: thermoset phenolic

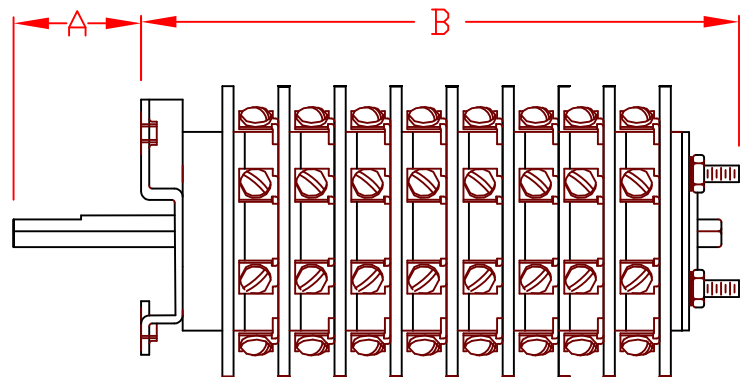
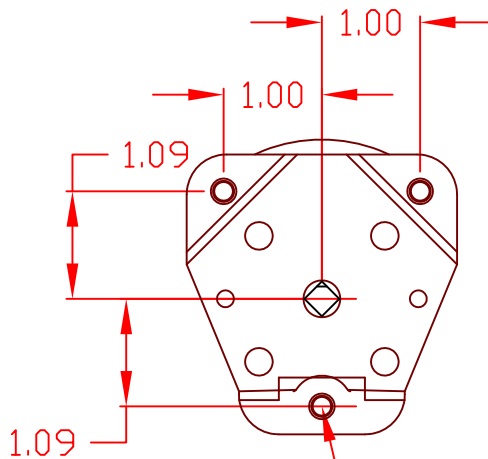
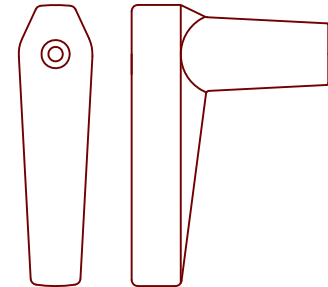


MOUNTING HOLE DETAIL

TRUTH TABLE

DECK	CONTACTS	POS.				DECK	CONTACTS	POS.				DECK	CONTACTS	POS.				DECK	CONTACTS	POS.			
		1	2	3	4			1	2	3	4			1	2	3	4			1	2	3	4
1	110-I-I-013	X				3	310-I-I-033	X				5	510-I-I-053	X				7	710-I-I-073	X			
	120-I-I-014		X				320-I-I-034		X				520-I-I-054		X				720-I-I-074		X		
	130-I-I-015			X			330-I-I-035			X			530-I-I-055			X			730-I-I-075			X	
	140-I-I-016				X		340-I-I-036				X		540-I-I-056				X		740-I-I-076				X
	150-I-I-017	X					350-I-I-037	X					550-I-I-057	X					750-I-I-077	X			
	160-I-I-018		X				360-I-I-038		X				560-I-I-058		X				760-I-I-078		X		
	170-I-I-011			X			370-I-I-031			X			570-I-I-051			X			770-I-I-071			X	
	180-I-I-012				X		380-I-I-032				X		580-I-I-052				X		780-I-I-072				X
	210-I-I-023	X					410-I-I-043	X					610-I-I-063	X					810-I-I-083	X			
	220-I-I-024		X				420-I-I-044		X				620-I-I-064		X				820-I-I-084		X		
230-I-I-025			X		430-I-I-045			X		630-I-I-065			X		830-I-I-085			X					
240-I-I-026				X	440-I-I-046				X	640-I-I-066				X	840-I-I-086				X				
250-I-I-027	X				450-I-I-047	X				650-I-I-067	X				850-I-I-087	X							
260-I-I-028		X			460-I-I-048		X			660-I-I-068		X			860-I-I-088		X						
270-I-I-021			X		470-I-I-041			X		670-I-I-061			X		870-I-I-081			X					
280-I-I-022				X	480-I-I-042				X	680-I-I-062				X	880-I-I-082				X				

HANDLE



**HANDLE TYPE: PISTOL GRIP**  
"A" DIM: 1.6  
"B" DIM: 6.53

10-32  
TAPPED HOLES  
(MTG SCREWS  
PROVIDED)

26508D