

General:

Meets requirements for 1 - 25 ampere switching of resistive loads to .75 power factor at voltages to 600 V AC and 250 VDC resistive loads

Electrical:

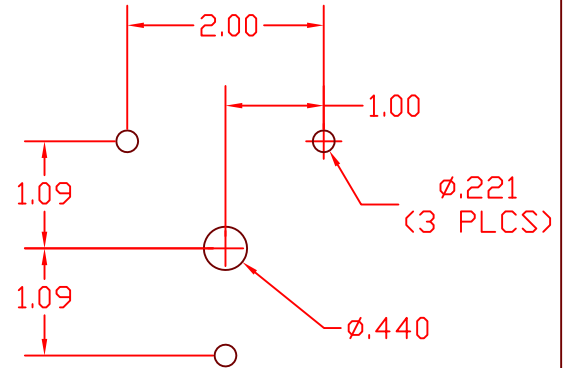
- * Ratings: 25A/120 VAC
 15A/600 VAC
 20A/600 VAC (RESISTIVE)
 3A/125 VDC
 1A/250 VDC
- * Current carrying capacity: 25 amperes
- * Dielectric Withstanding Voltage: 2200 Vrms
- * Contact Resistance: Initial, 10 milliohms max.
- * Insulation Resistance: 100 Megohms min., initial

Mechanical:

- * Sections: 5*
- Positions: 2 (ON-ON) (STOPS INSTALLED)
- * Indexing: 45°
- * Rotational Life: 65,000 operations

Materials and Finishes:

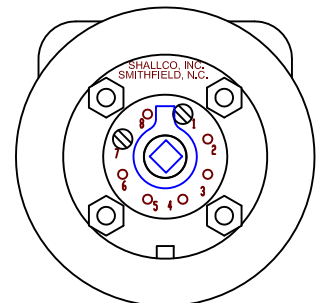
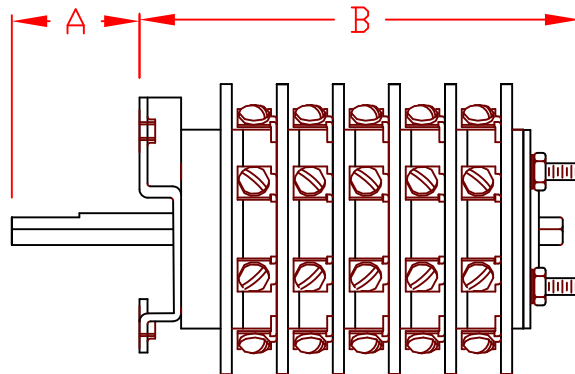
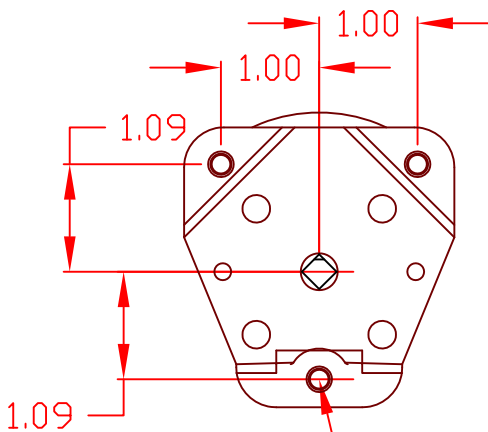
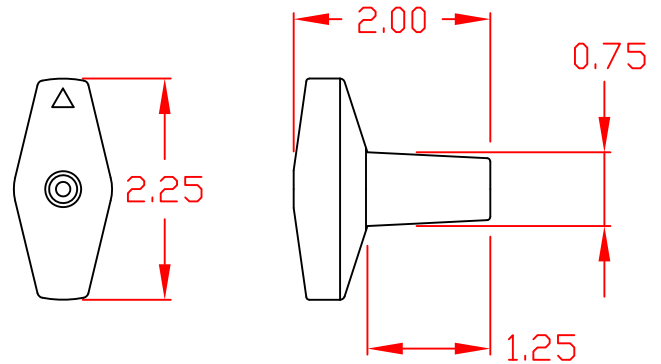
- * Rotors and Stators: Thermoset Plastic, UL 94VO
- * Rotor contacts: Phosphor bronze
- * Stator contacts: Silver plated copper, screw type
- * Terminal hardware: silver plated brass
- * Exterior Metal: Steel with zinc chromate finish
- * Knob: thermoset phenolic



MOUNTING HOLE DETAIL

CONTACT TABLE

DECK	CONTACTS	POS.	
		1	2
1	11-1-1-1-013	X	
	12-1-1-1-014	X	
	15-1-1-1-017	X	
	16-1-1-1-018	X	
2	21-1-1-1-023	X	
	22-1-1-1-024	X	
	25-1-1-1-027	X	
	26-1-1-1-028	X	
3	31-1-1-1-033	X	
	32-1-1-1-034	X	
	35-1-1-1-037	X	
	36-1-1-1-038	X	
4	41-1-1-1-043	X	
	42-1-1-1-044		X
	45-1-1-1-047	X	
	46-1-1-1-048		X
5	51-1-1-1-053	X	
	52-1-1-1-054		X
	55-1-1-1-057	X	
	56-1-1-1-058		X



HANDLE TYPE: OVAL
 "A" DIM: 1.6
 "B" DIM: 4.66

10-32
 TAPPED HOLES
 (MTG SCREWS
 PROVIDED)

26505B