

Part Number: 26504D

General:

- Number of decks: 4
- Number of positions: Up to 8 (adjustable)
- Schematic - see contact table
- Handle: D (Pistol Grip)

Electrical:

- * RATINGS:
 - 25A/120 VAC
 - 15A/600 VAC
 - 20A/600 VAC Resistive
 - 3A/125 VDC
 - 1A/250 VDC
- * Current carrying capacity: 25 amperes
- * Dielectric Withstanding Voltage: 2200 Vrms
- * Contact Resistance: Initial, 10 milliohms max.
- * Insulation Resistance: 100 Megohms min., initial

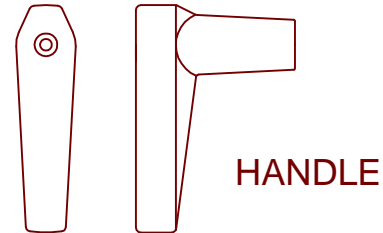
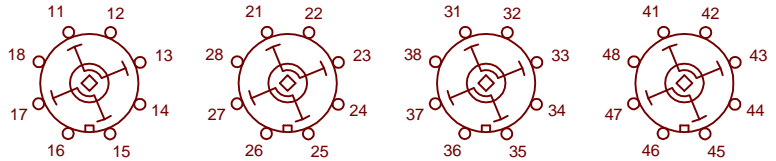
Mechanical:

- *Type Acton: Non-Shorting
- * Indexing: 45° positive detent
- * Rotational Life: 65,000 operations

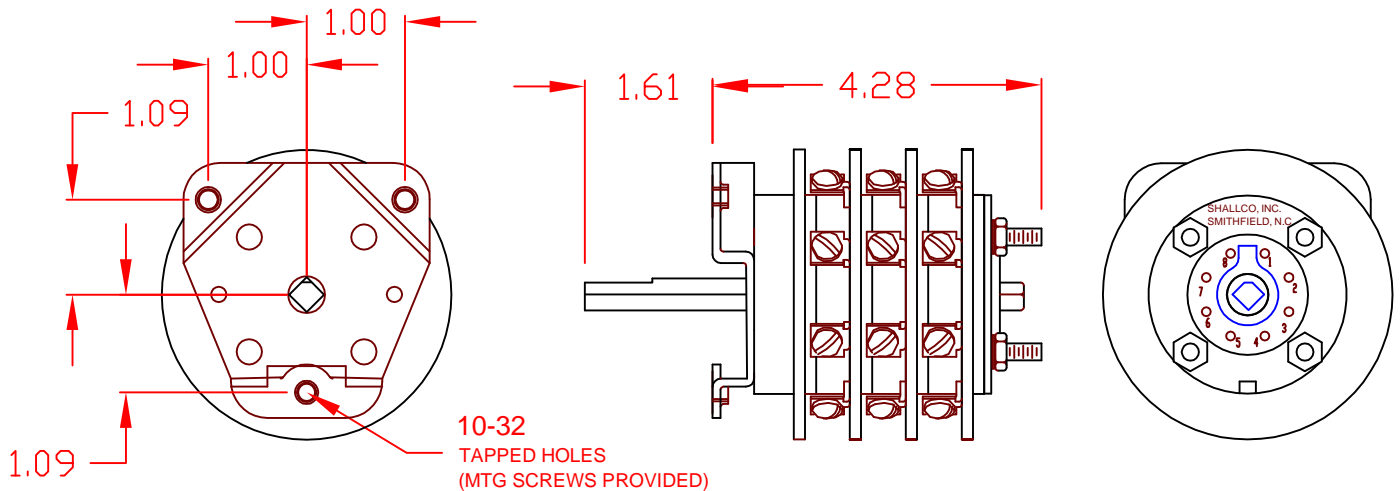
Materials and Finishes:

- * Rotors and Stators: Thermoset Plastic, UL 94VO
- * Rotor contacts: Phosphor bronze
- * Stator contacts: Silver plated copper, screw type
- * Terminal hardware: silver plated brass
- * Exterior Metal: Steel with zinc chromate finish
- * Knob: thermoset phenolic

DECK	CONTACTS	POS.							
		1	2	3	4	5	6	7	8
1	110-I-I-O13	X				X			
	120-I-I-O14		X				X		
	130-I-I-O15			X				X	
	140-I-I-O16				X				X
	150-I-I-O17	X				X			
	160-I-I-O18		X				X		
	170-I-I-O11			X				X	
	180-I-I-O12				X				X
2	210-I-I-O23	X				X			
	220-I-I-O24		X				X		
	230-I-I-O25			X				X	
	240-I-I-O26				X				X
	250-I-I-O27	X				X			
	260-I-I-O28		X				X		
	270-I-I-O21			X				X	
	280-I-I-O22				X				X
3	310-I-I-O33	X				X			
	320-I-I-O34		X				X		
	330-I-I-O35			X				X	
	340-I-I-O36				X				X
	350-I-I-O37	X				X			
	360-I-I-O38		X				X		
	370-I-I-O31			X				X	
	380-I-I-O32				X				X
4	410-I-I-O43	X				X			
	420-I-I-O44		X				X		
	430-I-I-O45			X				X	
	440-I-I-O46				X				X
	450-I-I-O47	X				X			
	460-I-I-O48		X				X		
	470-I-I-O41			X				X	
	480-I-I-O42				X				X



HANDLE



10-32
TAPPED HOLES
(MTG SCREWS PROVIDED)