

General:

Meets requirements for 1 - 25 ampere switching of resistive loads to .75 power factor at voltages to 600 V AC and 250 VDC resistive loads

Electrical:

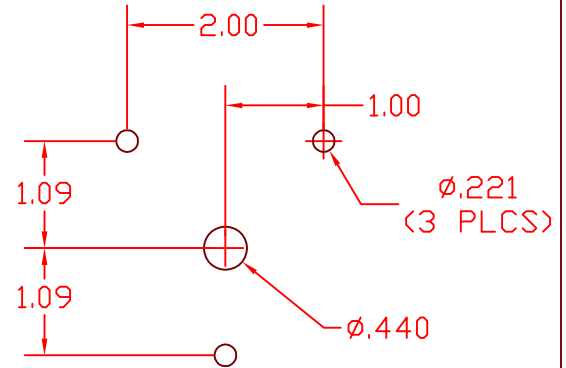
- * Ratings: 25A/120 VAC
 15A/600 VAC
 20A/600 VAC (RESISTIVE)
 3A/125 VDC
 1A/250 VDC
- * Current carrying capacity: 25 amperes
- * Dielectric Withstanding Voltage: 2200 Vrms
- * Contact Resistance: Initial, 10 milliohms max.
- * Insulation Resistance: 100 Megohms min., initial

Mechanical:

- * Sections: 4*
- Positions: adjustable (4 shown in table)
- * Rotational Life: 65,000 operations

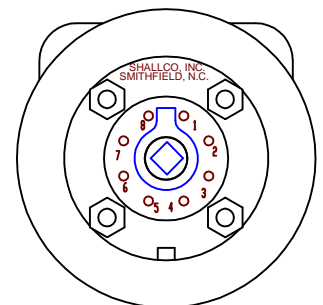
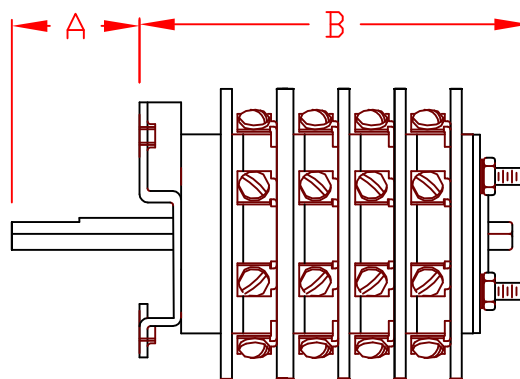
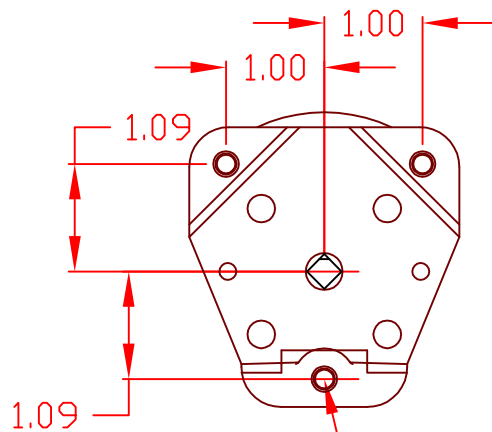
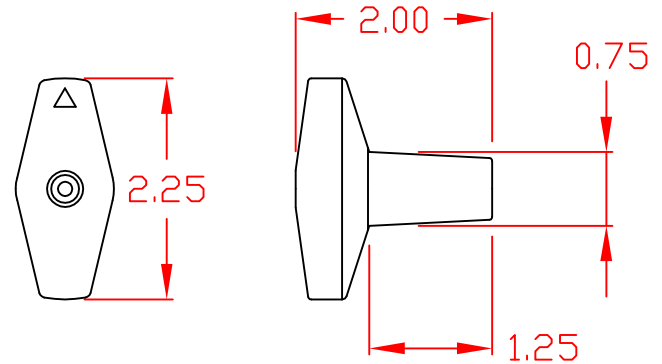
Materials and Finishes:

- * Rotors and Stators: Thermoset Plastic, UL 94VO
- * Rotor contacts: Phosphor bronze
- * Stator contacts: Silver plated copper, screw type
- * Terminal hardware: silver plated brass
- * Exterior Metal: Steel with zinc chromate finish
- * Knob: thermoset phenolic



MOUNTING HOLE DETAIL

DECK	CONTACTS	POS.				
		1	2	3	4	
1	11-1-1-013	X				
	12-1-1-014		X			
	13-1-1-015			X		
	14-1-1-016				X	
	15-1-1-017	X				
	16-1-1-018		X			
	17-1-1-011			X		
	18-1-1-012				X	
	21-1-1-023	X				
2	22-1-1-024		X			
	23-1-1-025			X		
	24-1-1-026				X	
	25-1-1-027	X				
	26-1-1-028		X			
	27-1-1-021			X		
	28-1-1-022				X	
	3	31-1-1-033	X			
32-1-1-034			X			
33-1-1-035				X		
34-1-1-036					X	
35-1-1-037		X				
36-1-1-038			X			
37-1-1-031				X		
38-1-1-032					X	
41-1-1-043		X				
4		42-1-1-044		X		
		43-1-1-045			X	
		44-1-1-046				X
	45-1-1-047	X				
	46-1-1-048		X			
	47-1-1-041			X		
	48-1-1-042				X	



HANDLE TYPE: OVAL
 "A" DIM: 1.6
 "B" DIM: 4.28

10-32
 TAPPED HOLES
 (MTG SCREWS
 PROVIDED)

26504B