

**General:**

Meets requirements for 1 - 25 ampere switching of resistive loads to .75 power factor at voltages to 600 V AC and 250 V DC resistive loads

**Electrical:**

\* Ratings:



- 25A/120 VAC
- 15A/600 VAC
- 20A/600 VAC (RESISTIVE)
- 3A/125 VDC
- 1A/250 VDC

- \* Current carrying capacity: 30 amperes
- \* Dielectric Withstanding Voltage: 2200 Vrms
- \* Contact Resistance: Initial, 10 milliohms max.
- \* Insulation Resistance: 100 Megohms min., initial

**Mechanical:**

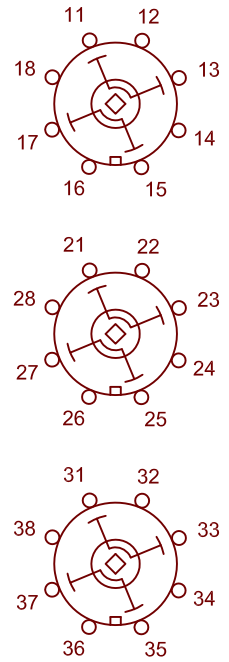
- \* Sections: 3
- \* Positions: 8 (adjustable, shown with stops set for 4)
- \* Circuit: See Contact Table and Stator Diagram
- \* Nonshorting Operation
- \* Indexing: 45° positive detent
- \* Rotational Life: 65,000 operations

**Materials and Finishes:**

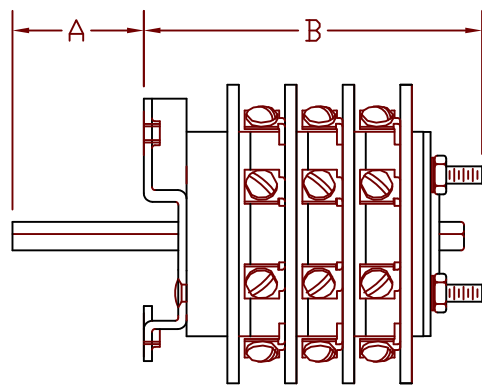
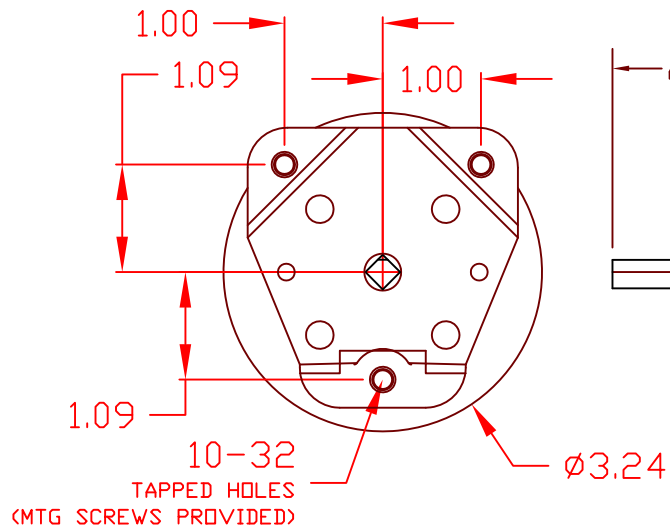
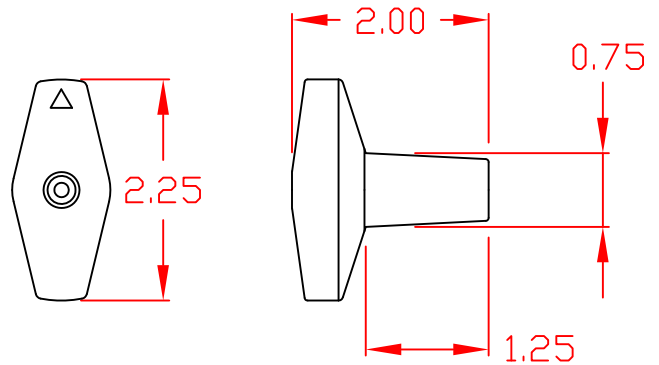
- \* Rotors and Stators: Thermoset Plastic, UL 94VO
- \* Rotor contacts: Phosphor bronze
- \* Stator contacts: Silver plated copper, screw type
- \* Terminal hardware: silver plated brass
- \* Exterior Metal: Steel with zinc chromate finish
- \* Knob: thermoset phenolic

**CONTACT TABLE**

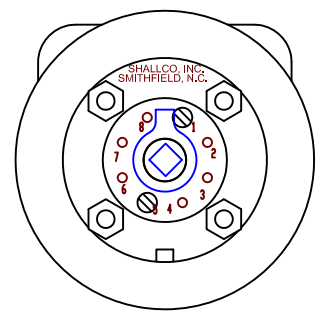
DECK	CONTACTS	POS.			
		1	2	3	4
1	110-I-I-O13	X			
	120-I-I-O14		X		
	130-I-I-O15			X	
	140-I-I-O16				X
	150-I-I-O17	X			
	160-I-I-O18		X		
	170-I-I-O11			X	
	180-I-I-O12				X
2	210-I-I-O23	X			
	220-I-I-O24		X		
	230-I-I-O25			X	
	240-I-I-O26				X
	250-I-I-O27	X			
	260-I-I-O28		X		
	270-I-I-O21			X	
	280-I-I-O22				X
3	310-I-I-O33	X			
	320-I-I-O34		X		
	330-I-I-O35			X	
	340-I-I-O36				X
	350-I-I-O37	X			
	360-I-I-O38		X		
	370-I-I-O31			X	
	380-I-I-O32				X



**STATOR DIAGRAM**



HANDLE TYPE: OVAL "A" DIM: 1.6  
 "B" DIM: 3.53



**26503B**

REV. A