

**SHALLCO SERIES 26**  
**Part Number: 26502D**



308 COMPONENTS DRIVE  
 SMITHFIELD, NC 27577 USA

**General:**

Meets requirements for 1 - 25 ampere switching of resistive loads to .75 power factor at voltages to 600 V AC and 250 VDC resistive loads

**Electrical:**

- \* Ratings: 25A/120 VAC
- 15A/600 VAC
- 20A/600 VAC (RESISTIVE)
- 3A/125 VDC
- 1A/250 VDC



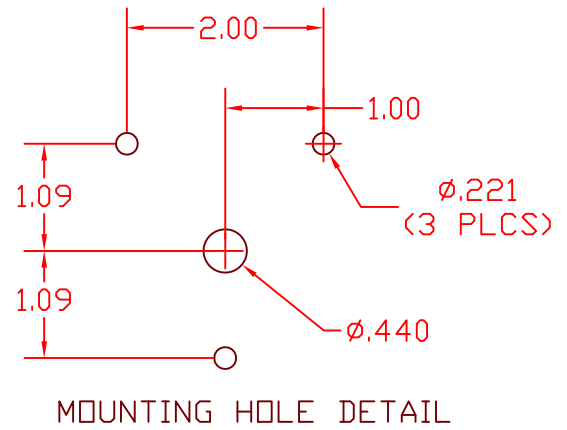
- \* Current carrying capacity: 25 amperes
- \* Dielectric Withstanding Voltage: 2200 Vrms
- \* Contact Resistance: Initial, 10 milliohms max.
- \* Insulation Resistance: 100 Megohms min., initial

**Mechanical:**

- \* Sections: 5
- \* Positions: See Contact Table
- \* Indexing: 45°
- \* Rotational Life: 65,000 operations

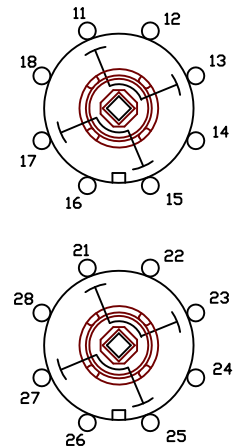
**Materials and Finishes:**

- \* Rotors and Stators: Thermoset Plastic, UL 94VO
- \* Rotor contacts: Phosphor bronze
- \* Stator contacts: Silver plated copper, screw type
- \* Terminal hardware: silver plated brass
- \* Exterior Metal: Steel with zinc chromate finish
- \* Knob: thermoset phenolic

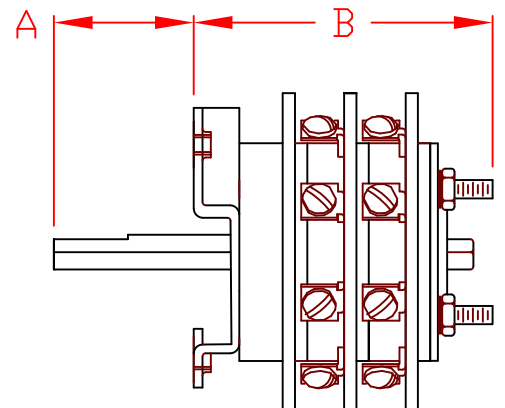
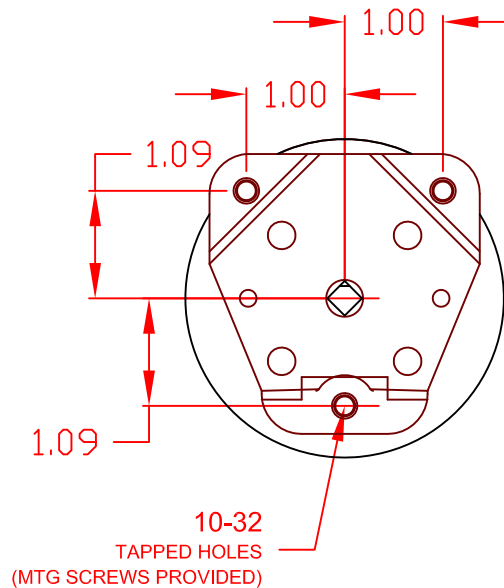
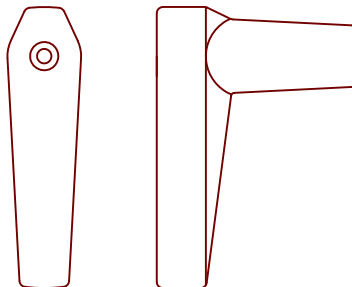


Contact Table

DECK	CONTACTS	POSITION	
		1	2
1	11 - 13	X	
	12 - 14		X
	15 - 17	X	
	16 - 18		X
2	21 - 23	X	
	22 - 24		X
	25 - 27	X	
	26 - 28		X



HANDLE



HANDLE TYPE: D  
 (PISTOL GRIP)  
 "A" DIM: 1.61  
 "B" DIM: 2.78

26502D

REV. A



308 COMPONENTS DRIVE  
 SMITHFIELD, NC 27577 USA