

General:

Meets requirements for 1 - 25 ampere switching of resistive loads to .75 power factor at voltages to 600 V AC and 250 V DC resistive loads

Electrical:

*** Ratings**

- 25A/125VAC
- 15A/600 VAC
- 20A/600 VAC (RES)
- 3A/125 VDC
- 1A/250 VDC



- * Current carrying capacity: 30 amperes
- * Dielectric Withstanding Voltage: 2200 Vrms
- * Contact Resistance: Initial, 10 milliohms max.
- * Insulation Resistance: 100 Megohms min., initial

Mechanical:

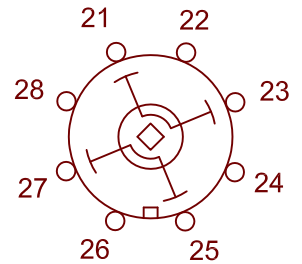
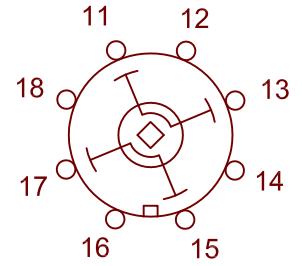
- * Sections: 2
- * Positions: 8 (adjustable, shown with stops set for 4)
- * Circuit: See Contact Table and Stator Diagram
- * Nonshorting Operation
- * Indexing: 45° positive detent
- * Rotational Life: 65,000 operations

Materials and Finishes:

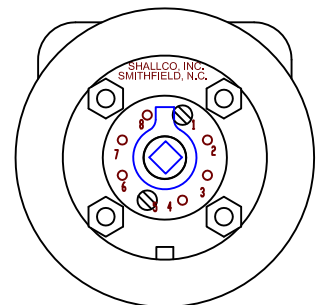
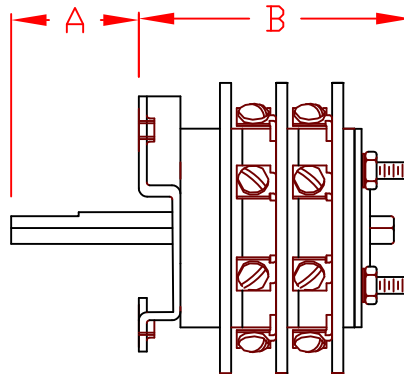
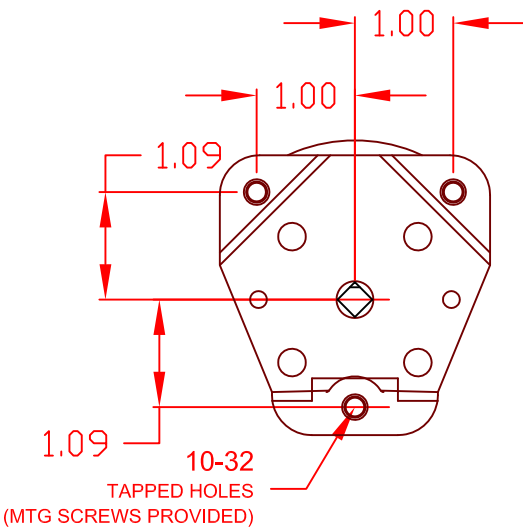
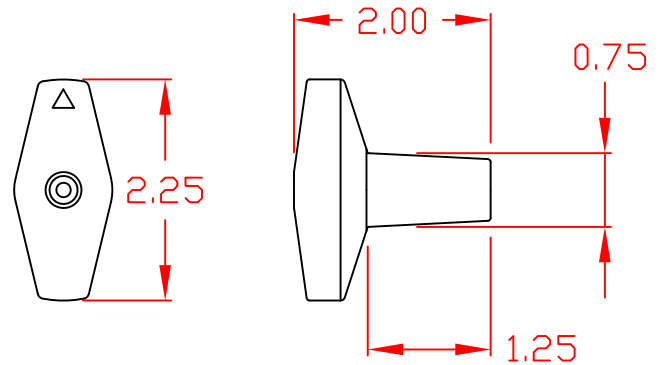
- * Rotors and Stators: Thermoset Plastic, UL 94VO
- * Rotor contacts: Phosphor bronze
- * Stator contacts: Silver plated copper, screw type
- * Terminal hardware: silver plated brass
- * Exterior Metal: Steel with zinc chromate finish
- * Knob: thermoset phenolic

CONTACT TABLE

DECK	CONTACTS	POS.			
		1	2	3	4
1	11-0-1-1-013	X			
	12-0-1-1-014		X		
	13-0-1-1-015			X	
	14-0-1-1-016				X
	15-0-1-1-017	X			
	16-0-1-1-018		X		
	17-0-1-1-011			X	
	18-0-1-1-012				X
2	21-0-1-1-023	X			
	22-0-1-1-024		X		
	23-0-1-1-025			X	
	24-0-1-1-026				X
	25-0-1-1-027	X			
	26-0-1-1-028		X		
	27-0-1-1-021			X	
	28-0-1-1-022				X



STATOR DIAGRAM



HANDLE TYPE: OVAL "A" DIM: 1.6
"B" DIM: 2.78

26502B

REV. A