

General:

Meets requirements for 1 - 25 ampere switching of resistive loads to .75 power factor at voltages to 600 V AC and 250 V DC resistive loads

Electrical:

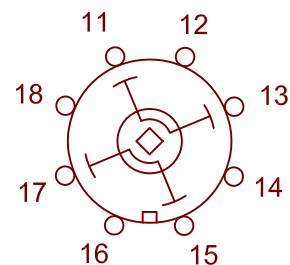
- * Ratings
- 25A/125VAC
- 15A/600 VAC
- 20A/600 VAC (RES)
- 3A/125 VDC
- 1A/250 VDC



- * Current carrying capacity: 30 amperes
- * Dielectric Withstanding Voltage: 2200 Vrms
- * Contact Resistance: Initial, 10 milliohms max.
- * Insulation Resistance: 100 Megohms min., initial

CONTACT TABLE

DECK	CONTACTS	POS.			
		1	2	3	4
1	11-O-I-I-O-13	X			
	12-O-I-I-I-O-14		X		
	13-O-I-I-I-O-15			X	
	14-O-I-I-I-O-16				X
	15-O-I-I-I-O-17	X			
	16-O-I-I-I-O-18		X		
	17-O-I-I-I-O-11			X	
	18-O-I-I-I-O-12				X



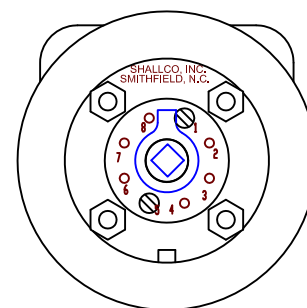
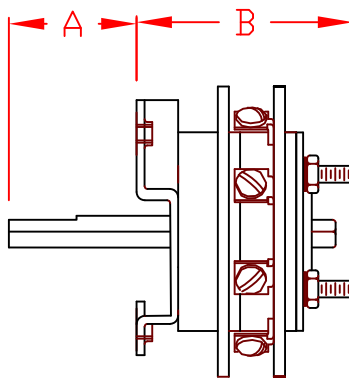
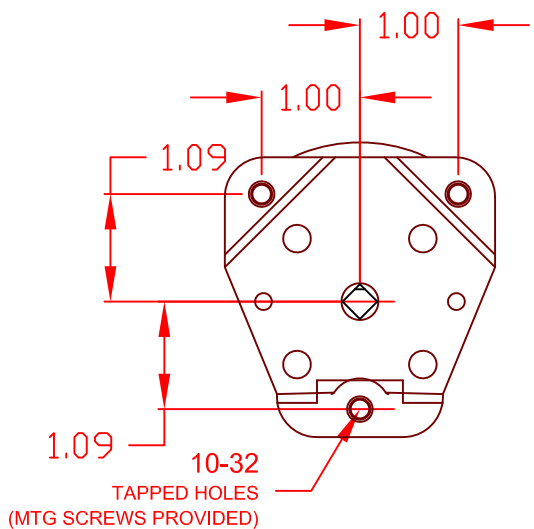
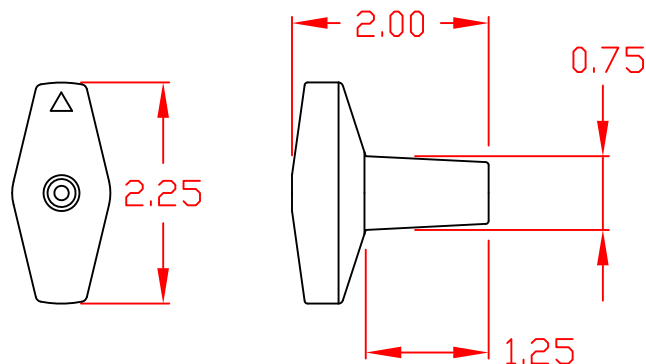
STATOR DIAGRAM

Mechanical:

- * Sections: 1
- * Positions: 8 (adjustable, shown with stops set for 4)
- * Circuit: See Contact Table and Stator Diagram
- * Nonshorting Operation
- * Indexing: 45° positive detent
- * Rotational Life: 65,000 operations

Materials and Finishes:

- * Rotors and Stators: Thermoset Plastic, UL 94VO
- * Rotor contacts: Phosphor bronze
- * Stator contacts: Silver plated copper, screw type
- * Terminal hardware: silver plated brass
- * Exterior Metal: Steel with zinc chromate finish
- * Knob: thermoset phenolic



HANDLE TYPE: OVAL "A" DIM: 1.6
"B" DIM: 2.41

26501B

REV.A