

SHALLCO SERIES 26

Part Number: 2646D

General:

Meets requirements for 1 - 25 ampere switching of resistive loads to .75 power factor at voltages to 600 VAC and 250 V DC resistive loads

Electrical:

* Ratings:

- 25A/120 VAC
- 15A/600 VAC
- 20A/600 VAC (RESISTIVE)
- 3A/125 VDC
- 1A/250 VDC



- * Current carrying capacity: 25 amperes
- * Dielectric Withstanding Voltage: 2200 Vrms
- * Contact Resistance: Initial, 10 milliohms max.
- * Insulation Resistance: 100 Megohms min., initial

Mechanical:

- * Sections: 4
- * Positions: 3
- Decks 1 & 2 Spring Return to Center
- Decks 3 & 4 Detented Slip contacts
- Rotational Life: 65,000 operations

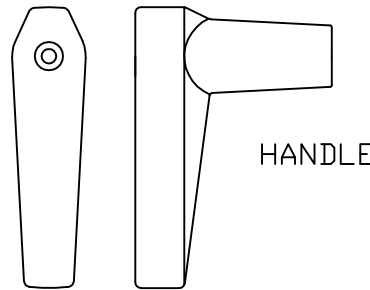
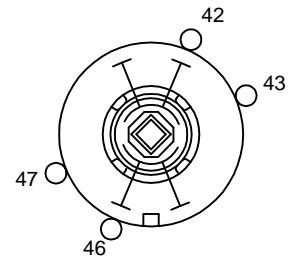
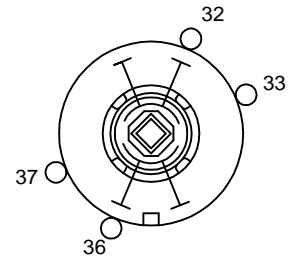
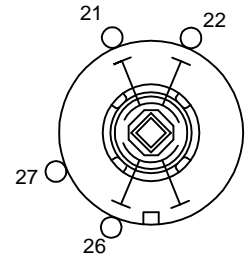
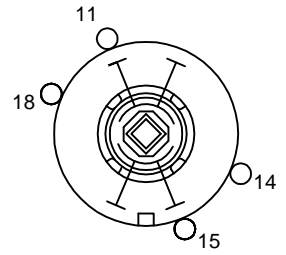
Materials and Finishes:

- * Rotors and Stators: Thermoset Plastic, UL 94VO
- * Rotor contacts: Phosphor bronze
- * Stator contacts: Silver plated copper, screw type
- * Terminal hardware: silver plated brass
- * Exterior Metal: Steel with zinc chromate finish
- * Knob: thermoset phenolic

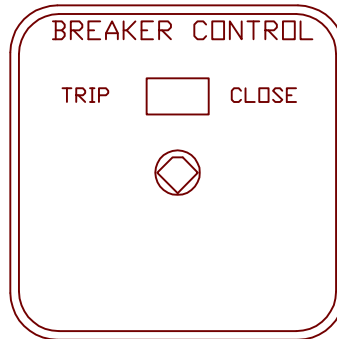


308 COMPONENTS DRIVE
SMITHFIELD, NC 27577 USA

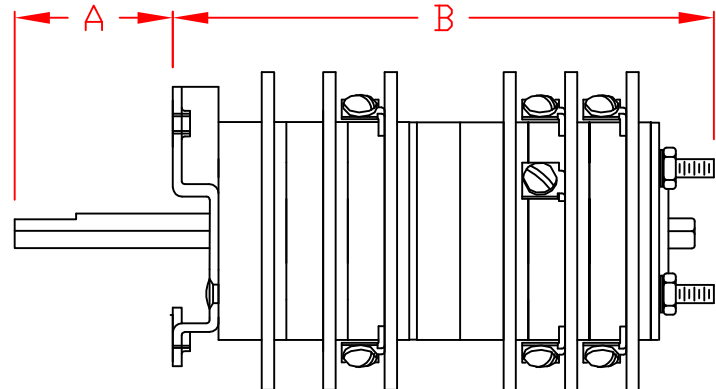
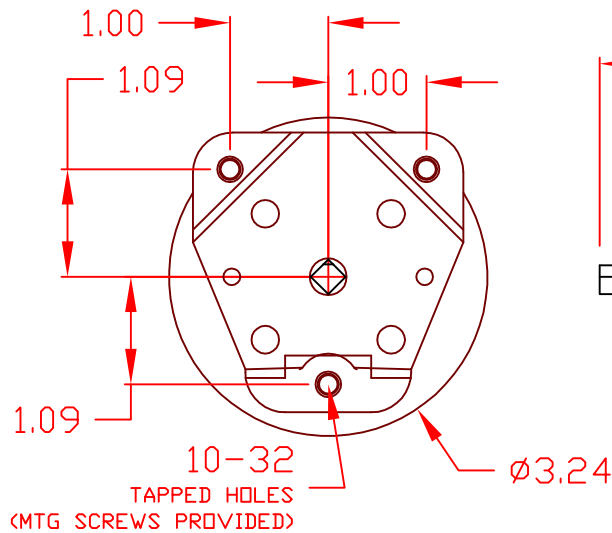
DECK	CONTACTS	POS.			
		TRIP	nat	mac	CLOSE
1	11O-II-II-O18	X			
	14O-II-II-O15	X			
2	21O-II-II-O22		X	X	
	26O-II-II-O27				X
3	32O-II-II-O33			X	X
	36O-II-II-O37			X	X
4	42O-II-II-O43			X	X
	46O-II-II-O47			X	X



HANDLE



ESCUTCHEON PLATE



"A" DIM: 1.61 "B" DIM: 5.56

DESCRIPTION

2646D

REV A



308 COMPONENTS DRIVE
SMITHFIELD, NC 27577 USA

TERMINAL SCREW TIGHTENING TORQUE: : 8 IN-LBS.