

# SHALLCO SERIES 26

Part Number: 2645D



308 COMPONENTS DRIVE  
SMITHFIELD, NC 27577 USA

## General:

Meets requirements for 1 - 25 ampere switching of resistive loads to .75 power factor at voltages to 600 V AC and 250 VDC resistive loads

## Electrical:

\* Ratings:



- 25A/120 VAC
- 15A/600 VAC
- 20A/600 VAC (RESISTIVE)
- 3A/125 VDC
- 1A/250 VDC

- \* Current carrying capacity: 25 amperes
- \* Dielectric Withstanding Voltage: 2200 Vrms
- \* Contact Resistance: Initial, 10 milliohms max.
- \* Insulation Resistance: 100 Megohms min., initial

## Mechanical:

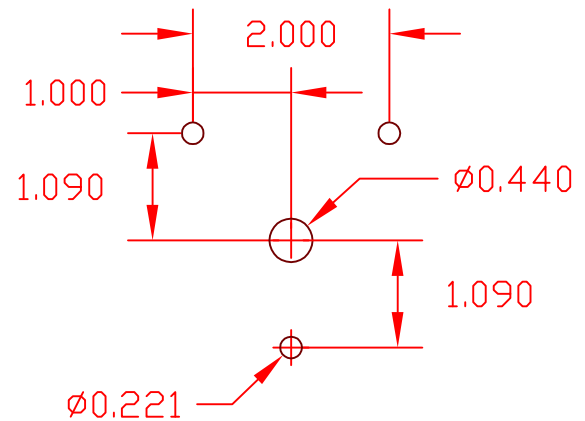
- \* Sections: 4 active
- \* Positions: 2 Shaft will spring return to the center (rest) positions (See Truth Table and Operation)
- \* Operation: Non-shorting
- Detent Type: Section 1 & 2 - Spring Return
- Detent Type: Section 3 & 4 - Slip Detent
- \* Indexing: 45°
- \* Rotational Life: 65,000 operations

## Materials and Finishes:

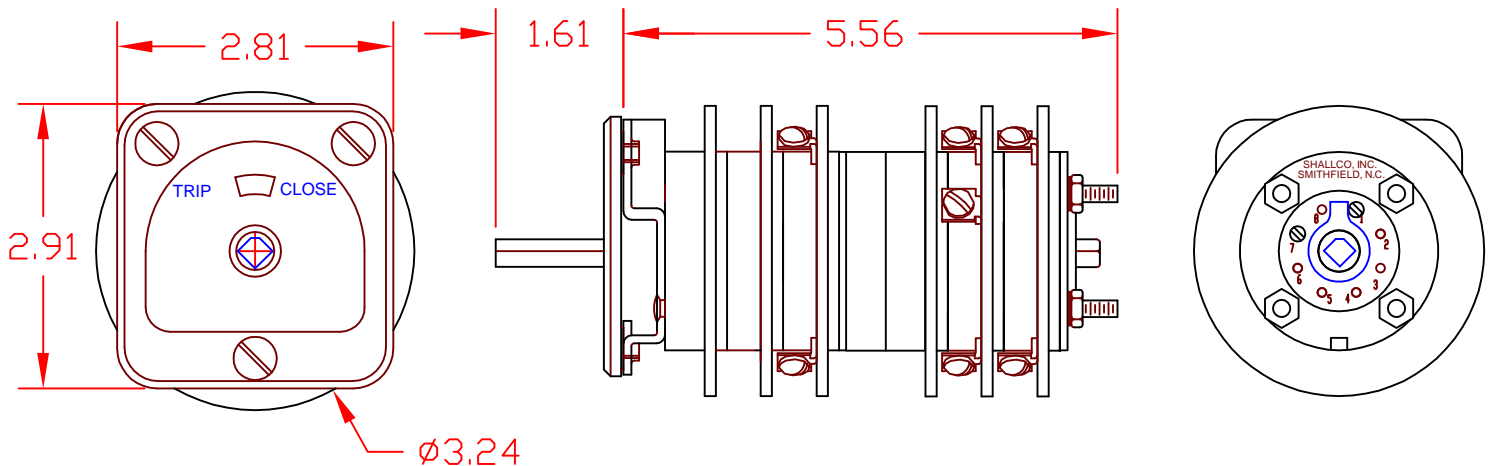
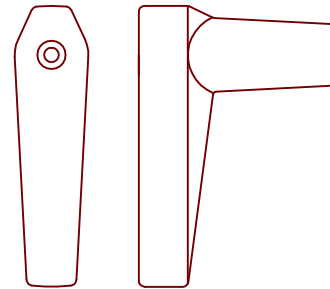
- \* Rotors and Stators: Thermoset Plastic, UL 94VO
- \* Rotor contacts: Phosphor bronze
- \* Stator contacts: Silver plated copper, screw type
- \* Terminal hardware: silver plated brass
- \* Exterior Metal: Steel with zinc chromate finish
- \* Knob: thermoset phenolic

DECK	CONTACTS				POSITION				
	TRIP	no t	no c	CLOSE	TRIP	no t	no c	CLOSE	
1	11 o				o 18				
	16 o				o 17				
2	21 o				o 22				
	32 o				o 33				
3	36 o				o 37				
	41 o				o 42				
4	45 o				o 46				

## MOUNTING HOLE DETAIL



## HANDLE



308 COMPONENTS DRIVE  
SMITHFIELD, NC 27577 USA

2645D

RFV /