

PART NUMBER: 2645D 125VDCAXC

DESCRIPTION:

NUMBER OF DECKS: 4 ACTIVE
 NUMBER OF POSITIONS: 2 SHAFT WILL SPRING
 RETURN TO THE CENTER REST POSITION (SEE
 TRUTH TABLE)
 TYPE ACTION: NONSHORTING
 DETENT TYPE: SECTIONS 1 & 2 - SPRING RETURN,
 DETENT TYPE: SECTIONS 3 & 4 - SLIP DETENT
 ESCUTCHEON PLATE: AS SHOWN
 HANDLE TYPE: D (PISTOL GRIP)

DECK	CONTACTS				POSITION		
	11	16	17	18	TRIP	TRIP	CLOSE
1	11	16	17	18	X		X
2	21			22		X	X
3	32			33		X	X
	36			37		X	X
4	41			42	X		
	45			46	X		

SWITCH IS SUPPLIED WITH LIGHTED ESCUTCHEON PLATE
 INPUT VOLTAGE: 125 VDC
 WIRING: AS SHOWN

RATINGS:

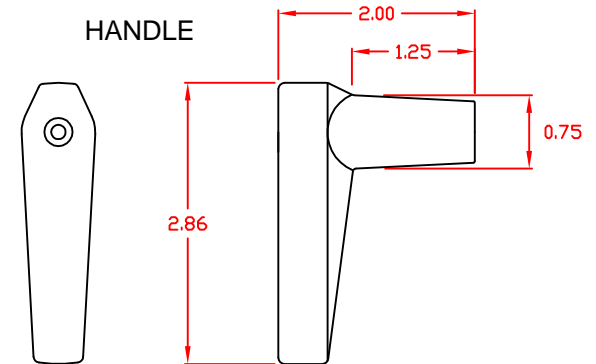
25A/120 VAC
 15A/240 VAC
 6A/600 VAC
 3A/125 VDC
 1A/250 VDC



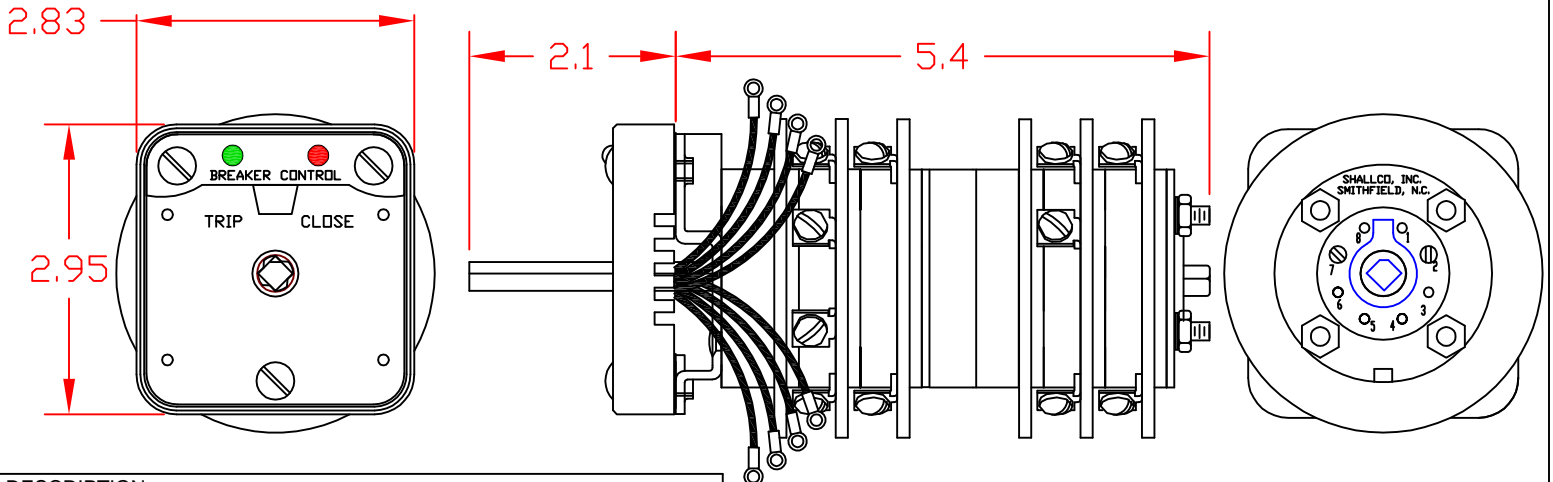
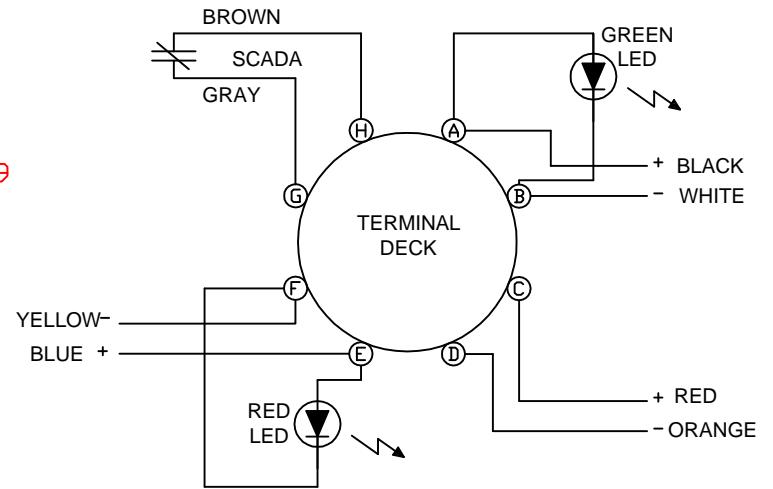
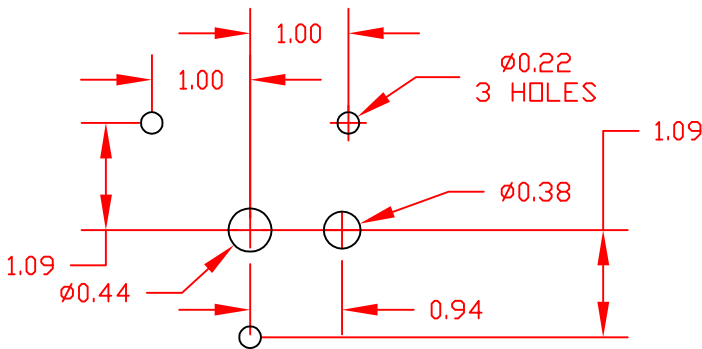
DIELECTRIC STRENGTH: 2200 VRMS

INSULATION RESISTANCE: 100 MEGOHMS
 MINIMUM INITIAL

CONTACT RESISTANCE: 10 MILLIOHMS INITIAL



MOUNTING HOLE DETAIL



DESCRIPTION

2645D 125VDCAXC

REV. A