

# SHALLCO SERIES 26

## Part Number: 2643D



### General:

Meets requirements for 1 - 25 ampere switching of Resistive loads to .75 power factor at voltages to 600 VAC and 250 VDC resistive loads

### Electrical:

- \* Ratings: 25A/120 VAC
- 15A/600 VAC
- 20A/600 VAC (RESISTIVE)
- 3A/125 VDC
- 1A/250 VDC



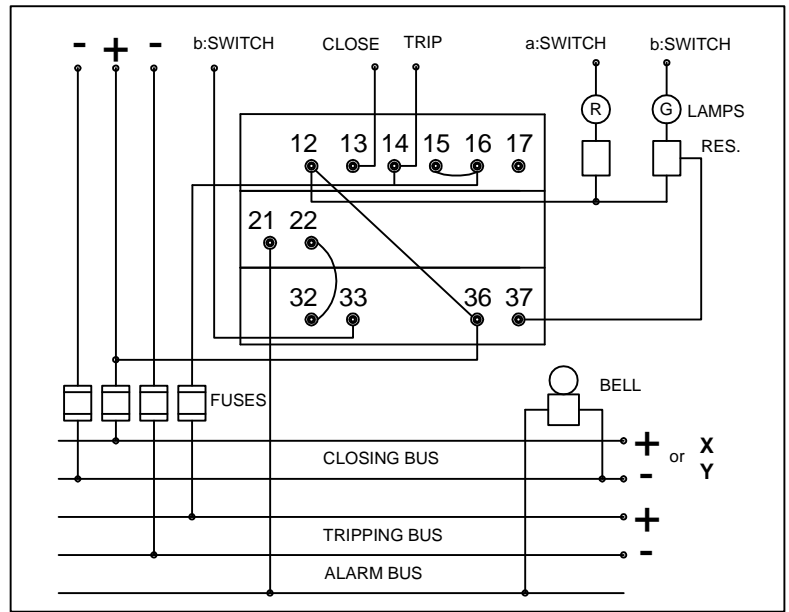
- \* Current carrying capacity: 25 amperes
- \* Dielectric Withstanding Voltage: 2200 Vrms
- \* Contact Resistance: Initial, 10 milliohms max.
- \* Insulation Resistance: 100 Megohms min., initial

### Mechanical:

- \* Sections: 3
- \* Positions: 2
- \* Detent Type: Sections 1 & 2 - Spring Return, Section 3, Slip Detent
- \* Indexing: 45°
- \* Rotational Life: 65,000 operations

### Materials and Finishes:

- \* Rotors and Stators: Thermoset Plastic, UL 94VO
- \* Rotor contacts: Phosphor bronze
- \* Stator contacts: Silver plated copper, screw type
- \* Terminal hardware: silver plated brass
- \* Exterior Metal: Steel with zinc chromate finish
- \* Knob: thermoset phenolic



DECK	CONTACTS	POS.			
		TRIP	nat	nac	CLOSE
1	12-O-I-I-O-13				X
	15-16 O-I-I-I-O-14 O-I-I-I-O-17	X			X
2	21-O-I-I-I-O-22		X	X	
3	32-O-I-I-I-O-33			X	X
	36-O-I-I-I-O-37			X	X

• Contacts 15-16 connected internally in Normal Position

