

# SHALLCO SERIES 26

**Part Number: 2640D**

**General:**

Meets requirements for 1 - 25 ampere switching of resistive loads to .75 power factor at voltages to 600 V AC and 250 V DC resistive loads

**Electrical:**

\* Ratings:



- 25A/120 VAC
- 15A/600 VAC
- 20A/600 VAC (RESISTIVE)
- 3A/125 VDC
- 1A/250 VDC



- \* Current carrying capacity: 25 amperes
- \* Dielectric Withstanding Voltage: 2200 Vrms
- \* Contact Resistance: Initial, 10 milliohms max.
- \* Insulation Resistance: 100 Megohms min., initial

**Mechanical:**

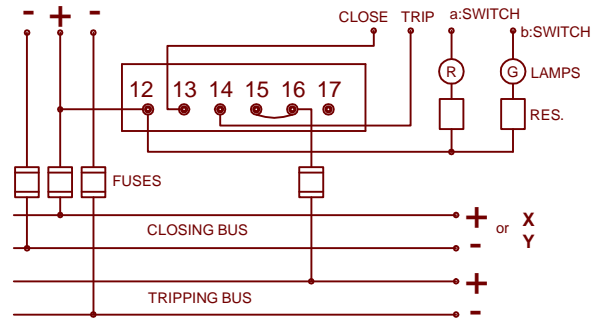
- \* Sections: 1
- \* Positions: 2, Spring Return to Center (Off)
- \* Indexing: 45°
- \* Rotational Life: 65,000 operations

**Materials and Finishes:**

- \* Rotors and Stators: Thermoset Plastic, UL 94VO
- \* Rotor contacts: Phosphor bronze
- \* Stator contacts: Silver plated copper, screw type
- \* Terminal hardware: silver plated brass
- \* Exterior Metal: Steel with zinc chromate finish
- \* Knob: thermoset phenolic

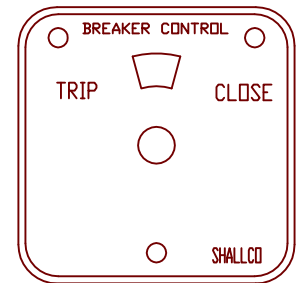
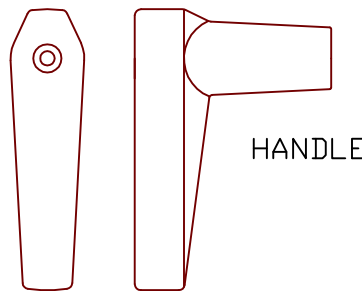


308 COMPONENTS DRIVE  
SMITHFIELD, NC 27577 USA

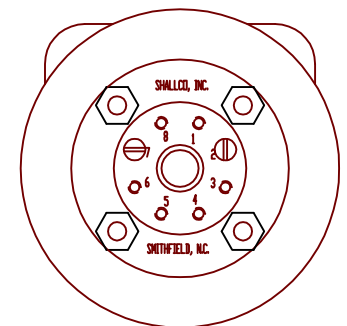
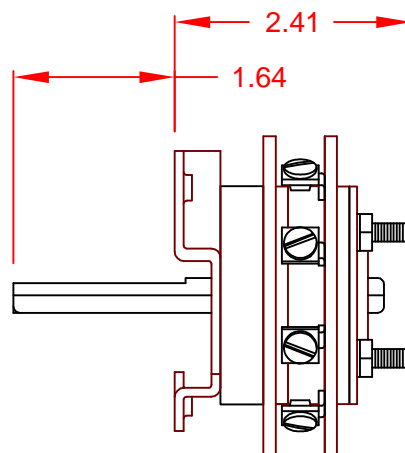
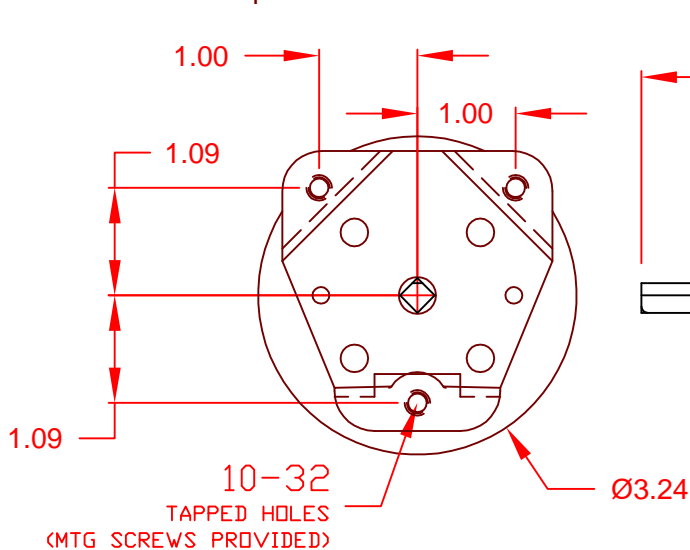


DECK	CONTACTS	POS.	
		TRIP	CLOSE
1	12-13		X
	15-16	X	
	14-17		X

Contacts 15-16 connected internally in Normal Position



ESCUTCHEON PLATE



DESCRIPTION

**2640D**

REV -



308 COMPONENTS DRIVE  
SMITHFIELD, NC 27577 USA

TERMINAL SCREW TIGHTENING TORQUE: : 8 IN-LBS.