

SHALLCO SERIES 26
Part Number: 2638D 24VDCAXC



308 COMPONENTS DRIVE
 SMITHFIELD, NC 27577 USA

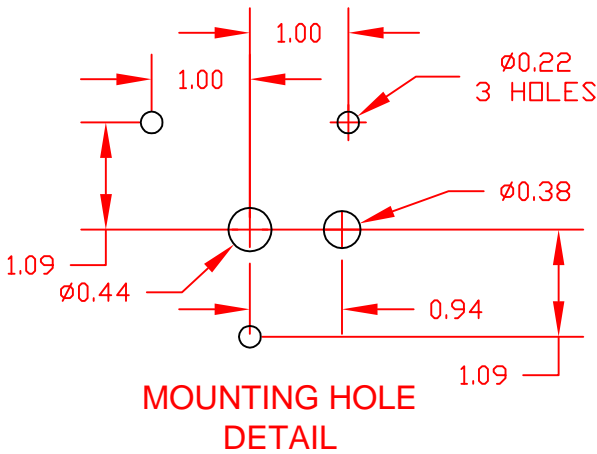
General:

Meets requirements for 1 - 25 ampere switching of resistive loads to .75 power factor at voltages to 600 VAC and 250 VDC resistive loads

Electrical:

- * Ratings:
 - 25A/120 VAC
 - 15A/600 VAC
 - 20A/600 VAC (RESISTIVE)
 - 3A/125 VDC
 - 1A/250 VDC
- * Current carrying capacity: 25 amperes
- * Dielectric Withstanding Voltage: 2200 Vrms
- * Contact Resistance: Initial, 10 milliohms max.
- * Insulation Resistance: 100 Megohms min., initial
- * Switch is supplied with a lighted escutcheon plate:
 - Input voltage: 125 VDC (20 - 140 VDC)
 - 120 VAC (100 - 140 VAC)

Wiring: As shown

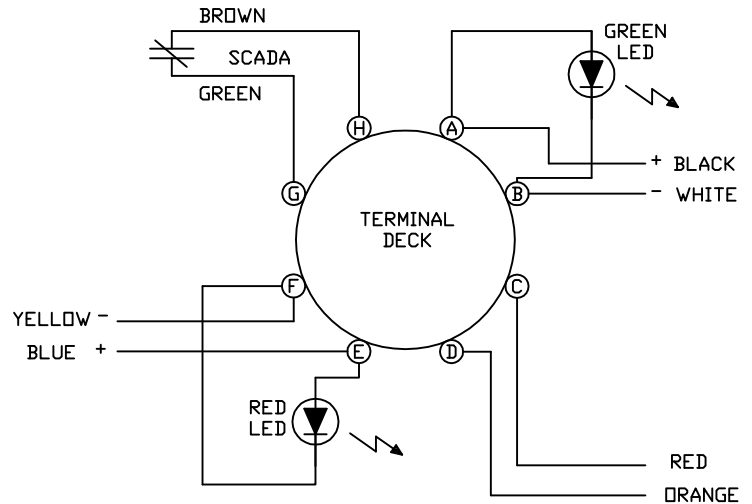


Mechanical:

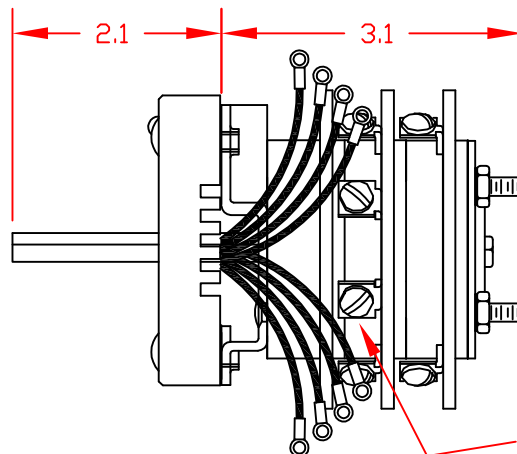
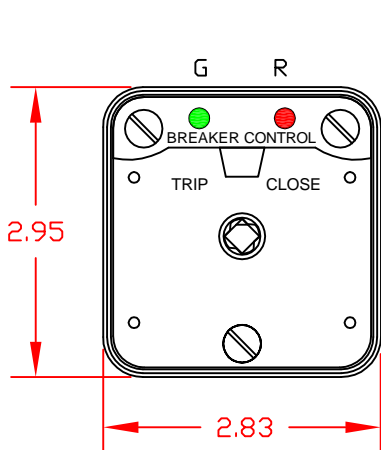
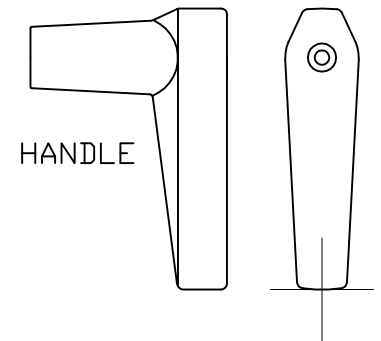
- * Sections: 2
- * Positions: 2, Spring Return to Center (Off)
- * Indexing: 45°
- * Rotational Life: 65,000 operations

Materials and Finishes:

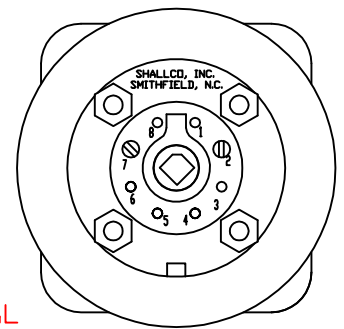
- * Rotors and Stators: Thermoset Plastic, UL 94VO
- * Rotor contacts: Phosphor bronze
- * Stator contacts: Silver plated copper, screw type
- * Terminal hardware: silver plated brass
- * Exterior Metal: Steel with zinc chromate finish
- * Knob: thermoset phenolic



| CONTACT | POSITION | | |
|---------|----------|--------|-------|
| | TRIP | NORMAL | CLOSE |
| 11 - 18 | X | | |
| 16 - 17 | | | X |



TERMINAL DECK



TERMINAL SCREW TIGHTENING TORQUE: : 8 IN-LBS.