

SHALLCO SERIES 26
Part Number: 2638D 120VACABC



308 COMPONENTS DRIVE
 SMITHFIELD, NC 27577 USA

General:

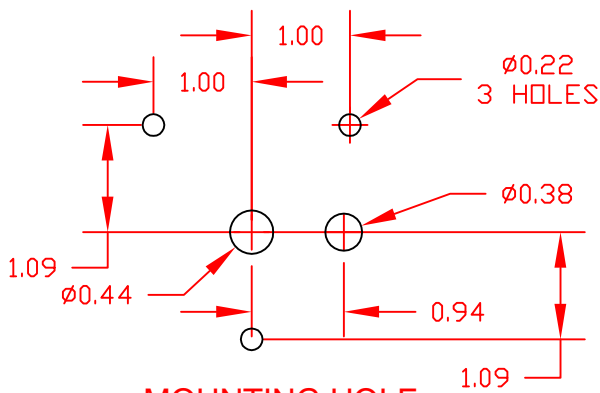
Meets requirements for 1 - 25 ampere switching of resistive loads to .75 power factor at voltages to 600 VAC and 250 VDC resistive loads

Electrical:

- * Ratings: 25A/120 VAC
 15A/600 VAC
 20A/600 VAC (RESISTIVE)
 3A/125 VDC
 1A/250 VDC
- * Continuous Rating: 30 amperes/600 Vac
- * Dielectric Withstanding Voltage: 2200 Vrms
- * Contact Resistance: Initial, 10 milliohms max.
- * Insulation Resistance: 100 Megohms min., initial

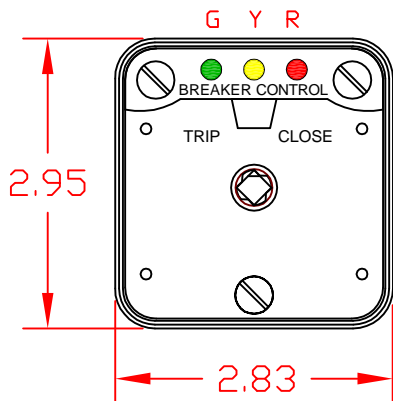


* Switch is supplied with a lighted escutcheon plate:
 Input voltage: 120 VAC
 Wiring: As shown



**MOUNTING HOLE
 DETAIL**

POSITION			
CONTACT	TRIP	NORMAL	CLOSE
11 - 18	X		
16 - 17			X

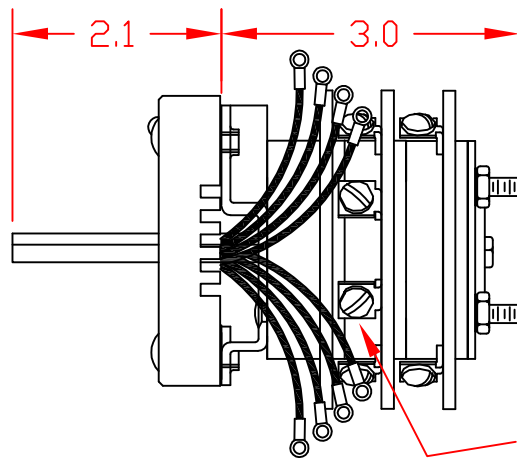
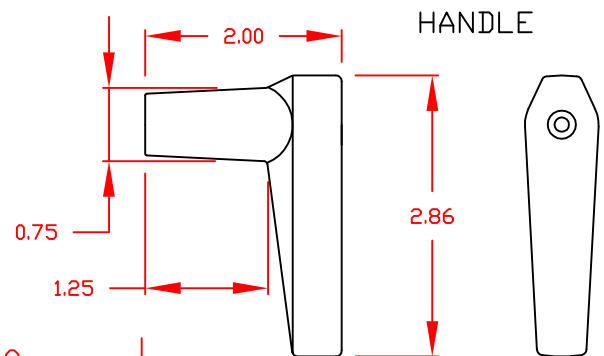
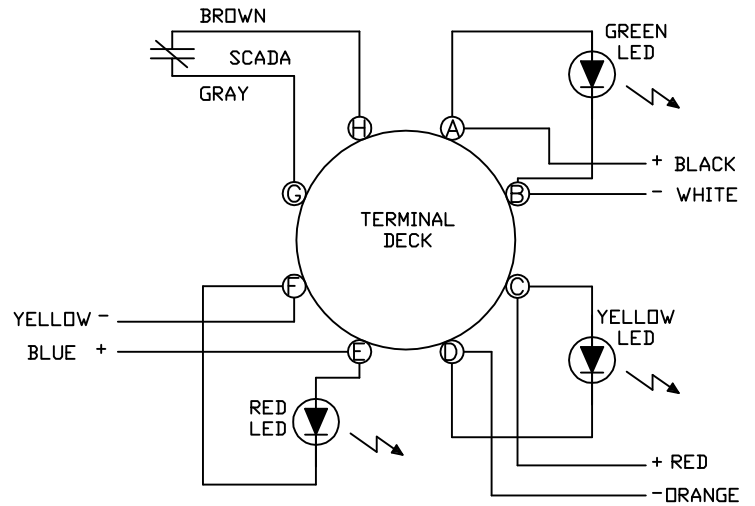


Mechanical:

- * Sections: 2
- * Positions: 2, Spring Return to Center (Off)
- * Indexing: 45°
- * Rotational Life: 65,000 operations

Materials and Finishes:

- * Rotors and Stators: Thermoset Plastic, UL 94VO
- * Rotor contacts: Phosphor bronze
- * Stator contacts: Silver plated copper, screw type
- * Terminal hardware: silver plated brass
- * Exterior Metal: Steel with zinc chromate finish
- * Knob: thermoset phenolic



**TERMINAL
 DECK**

