

SHALLCO SERIES 26

Part Number: 2636D 125VACAXC

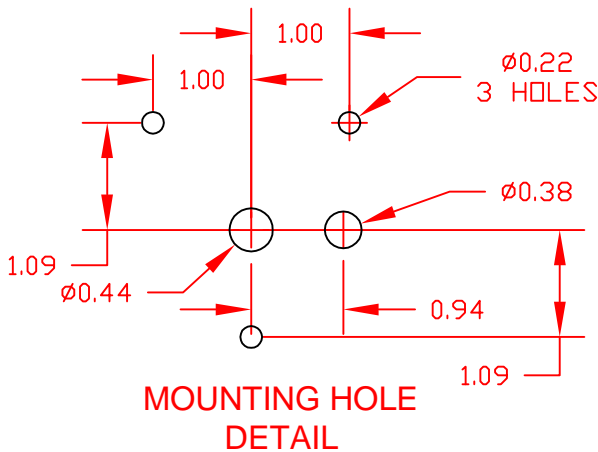
General:

Meets requirements for 1 - 25 ampere switching of resistive loads to .75 power factor at voltages to 600 VAC and 250 VDC resistive loads

Electrical Ratings: 25A/120 VAC
 15A/600 VAC
 20A/600 VAC (RES)
 3A/125 VDC
 1A/250 VDC



- * Voltages: 250 V DC, 600 VAC
- * Current carrying capacity: 25 amperes
- * Dielectric Withstanding Voltage: 2200 Vrms
- * Contact Resistance: Initial, 10 milliohms max.
- * Insulation Resistance: 100 Megohms min., initial
- * Switch is supplied with a lighted escutcheon plate:
 Input voltage: 125 VAC
 Wiring: As shown



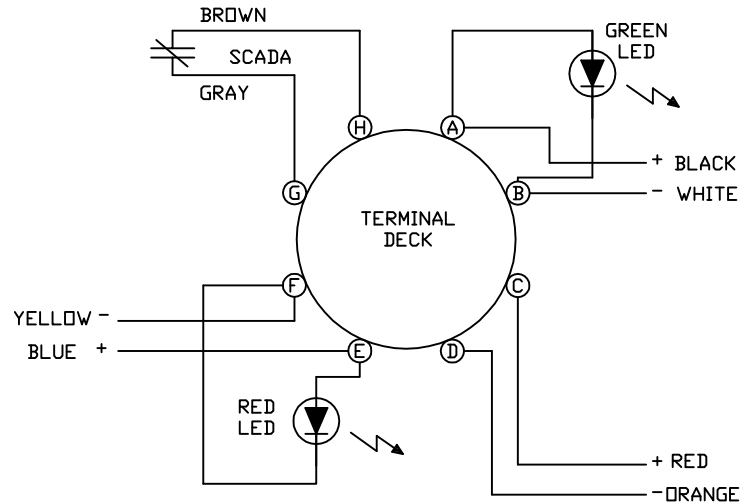
308 COMPONENTS DRIVE
 SMITHFIELD, NC 27577 USA

Mechanical:

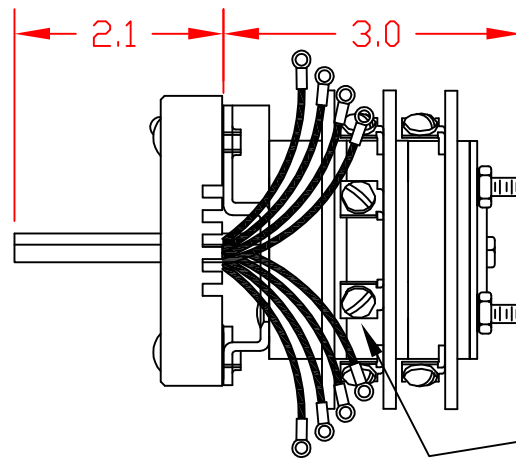
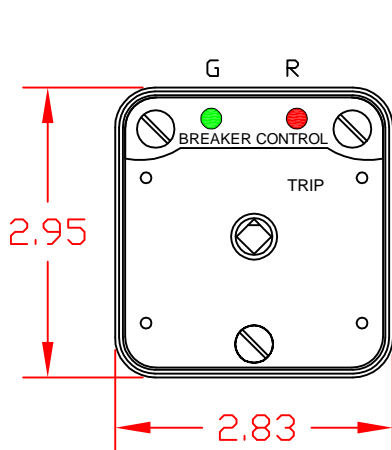
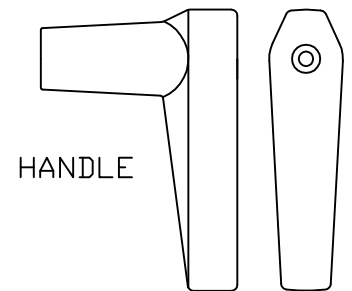
- * Sections: 1
- * Positions: 2, Spring Return to vertical (Off)
- * Indexing: 45°
- * Rotational Life: 65,000 operations

Materials and Finishes:

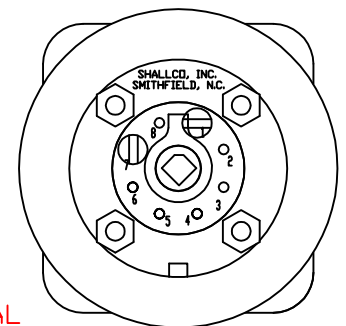
- * Rotors and Stators: Thermoset Plastic, UL 94VO
- * Rotor contacts: Phosphor bronze
- * Stator contacts: Silver plated copper, screw type
- * Terminal hardware: silver plated brass
- * Exterior Metal: Steel with zinc chromate finish
- * Knob: thermoset phenolic



CONTACT	POSITION	
	NORMAL	CLOSE
12 - 13		
16 - 17		



TERMINAL DECK



308 COMPONENTS DRIVE
 SMITHFIELD, NC 27577 USA

2636D 125VACAXC

REV. -