

SHALLCO SERIES 26
Part Number: 26308B



308 COMPONENTS DRIVE
 SMITHFIELD, NC 27577 USA

General:

Meets requirements for 1 - 25 ampere switching of resistive loads to .75 power factor at voltages to 600 V AC and 250 V DC resistive loads

Electrical Ratings: 25A/120 VAC
 15A/600 VAC
 20A/600 VAC (RES)
 3A/125 VDC
 1A/250 VDC



- * Current carrying capacity: 25 amperes
- * Dielectric Withstanding Voltage: 2200 Vrms
- * Contact Resistance: Initial, 10 milliohms max.
- * Insulation Resistance: 100 Megohms min., initial

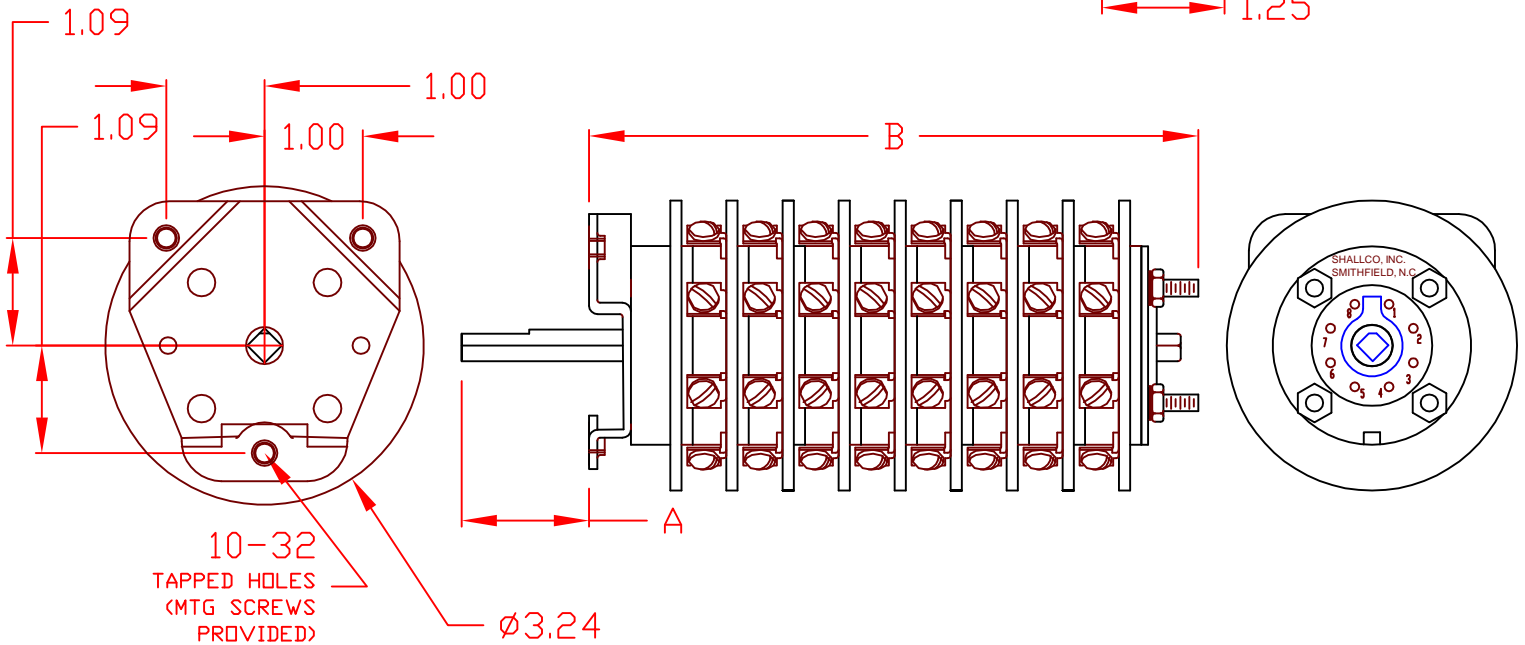
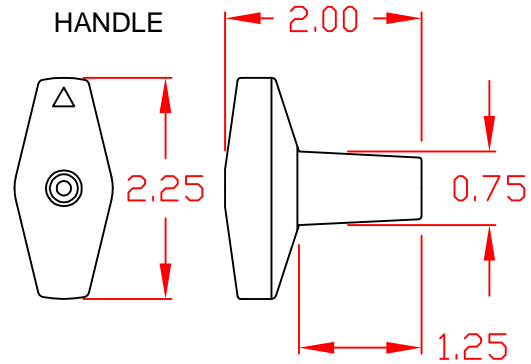
Mechanical:

- * Sections: 8
- * Positions: 8 Adjustable (See Truth Table)
- * Indexing: 45° positive detent
- * Rotational Life: 65,000 operations

Materials and Finishes:

- * Rotors and Stators: Thermoset Plastic
 UL 94VO
- * Rotor contacts: Phosphor bronze
- * Stator contacts: Silver plated copper
 screw type
- * Terminal hardware: silver plated brass
- * Exterior Metal: Steel with zinc chromate finish

DECK	CONTACTS	POSITIONS							DECK	CONTACTS	POSITIONS						
		1	2	3	4	5	6	7			1	2	3	4	5	6	7
1	11-O12		X						5	51-O52		X					
	11-O13			X						51-O53			X				
	11-O14				X					51-O54				X			
	11-O15					X				51-O55					X		
	11-O16						X			51-O56						X	
	11-O17							X		51-O57							X
	11-O18							X	51-O58							X	
2	21-O22		X						6	61-O62		X					
	21-O23			X						61-O63			X				
	21-O24				X					61-O64				X			
	21-O25					X				61-O65					X		
	21-O26						X			61-O66						X	
	21-O27							X		61-O67							X
	21-O28							X	61-O68							X	
3	31-O32		X						7	71-O72		X					
	31-O33			X						71-O73			X				
	31-O34				X					71-O74				X			
	31-O35					X				71-O75					X		
	31-O36						X			71-O76						X	
	31-O37							X		71-O77							X
	31-O38							X	71-O78							X	
4	41-O42		X						8	81-O82		X					
	41-O43			X						81-O83			X				
	41-O44				X					81-O84				X			
	41-O45					X				81-O85					X		
	41-O46						X			81-O86						X	
	41-O47							X		81-O87							X
	41-O48							X	81-O88							X	



HANDLE TYPE: B (OVAL)
 "A" DIM: 1.61
 "B" DIM: 6.53

26308B

REV. A



308 COMPONENTS DRIVE
 SMITHFIELD, NC 27577 USA

TERMINAL SCREW TIGHTENING TORQUE: 8 IN-LBS