

Synchroscope Switch

General:

Meets requirements for 1 - 25 ampere switching of resistive loads to .75 power factor at voltages to 600 V AC and 250 V DC resistive loads

Electrical:

- * Ratings:
- 25A/120 VAC
- 15A/600 VAC
- 20A/600 VAC (RESISTIVE)
- 3A/125 VDC
- 1A/250 VDC



- * Current carrying capacity: 25 amperes
- * Dielectric Withstanding Voltage: 2200 Vrms
- * Contact Resistance: Initial, 10 milliohms max.
- * Insulation Resistance: 100 Megohms min., initial

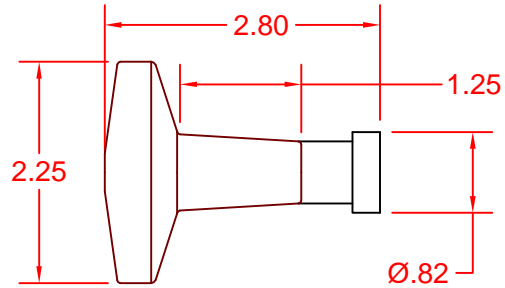
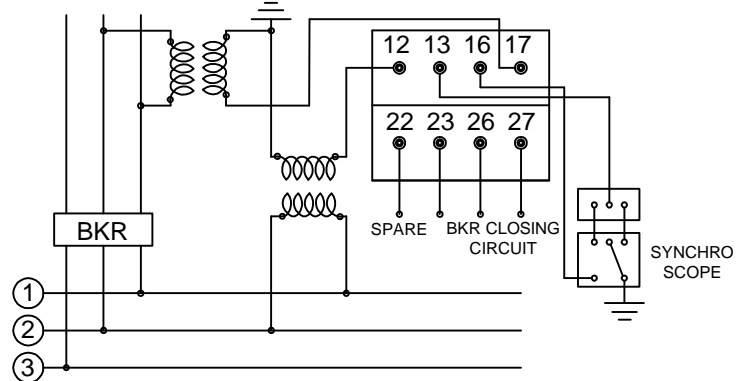
Mechanical:

- * Sections: 2
- * Positions: 2
- * Indexing: 45°
- * Rotational Life: 65,000 operations

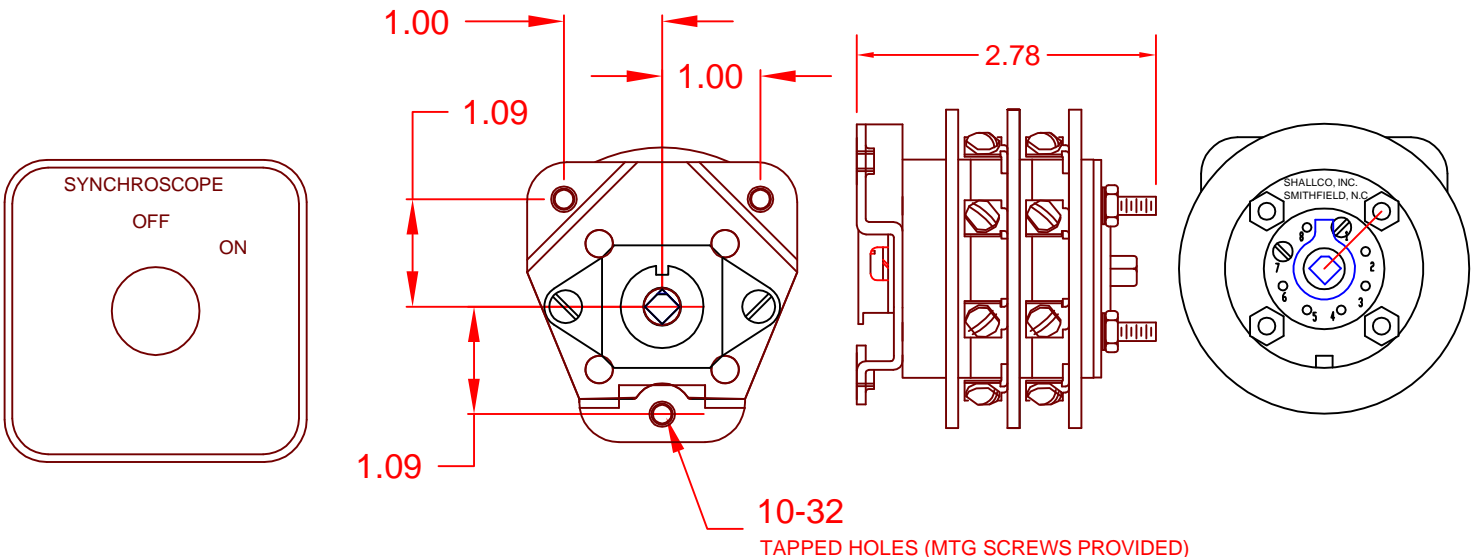
Materials and Finishes:

- * Rotors and Stators: Thermoset Plastic, UL 94VO
- * Rotor contacts: Phosphor bronze
- * Stator contacts: Silver plated copper, screw type
- * Terminal hardware: silver plated brass
- * Exterior Metal: Steel with zinc chromate finish
- * Knob: thermoset phenolic

| DECK | CONTACTS | POS. | |
|------|-------------|------|----|
| | | OFF | ON |
| 1 | 12-11-10-13 | | X |
| | 16-11-10-17 | | X |
| 2 | 22-11-10-23 | | X |
| | 26-11-10-27 | | X |



HANDLE TYPE: OVAL REMOVABLE



10-32
 TAPPED HOLES (MTG SCREWS PROVIDED)

2624E