

**SHALLCO SERIES 26**  
**Part Number: 26207D**



308 COMPONENTS DRIVE  
 SMITHFIELD, NC 27577 USA

**General:**

Meets requirements for 1 - 25 ampere switching of resistive loads to .75 power factor at voltages to 600 V AC and 250 V DC resistive loads

**CONTACT TABLE**



**Electrical:**

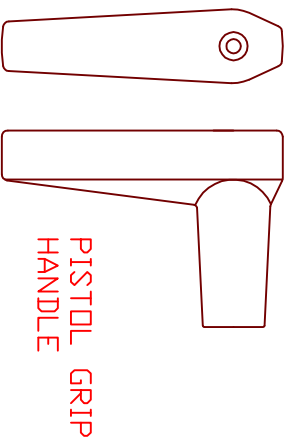
- \* Ratings:
  - 25A/120 VAC
  - 15A/600 VAC
  - 20A/600 VAC (RESISTIVE)
  - 3A/125 VDC
  - 1A/250 VDC
- \* Current carrying capacity: 25 amperes
- \* Dielectric Withstanding Voltage: 2200 Vrms
- \* Contact Resistance: Initial, 10 milliohms max.
- \* Insulation Resistance: 100 Megohms min., initial

**Mechanical:**

- \* Sections: 7
- \* Positions: 8 adjustable
- \* Indexing: 45°
- \* Rotational Life: 65,000 operations

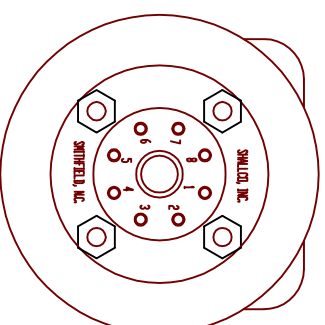
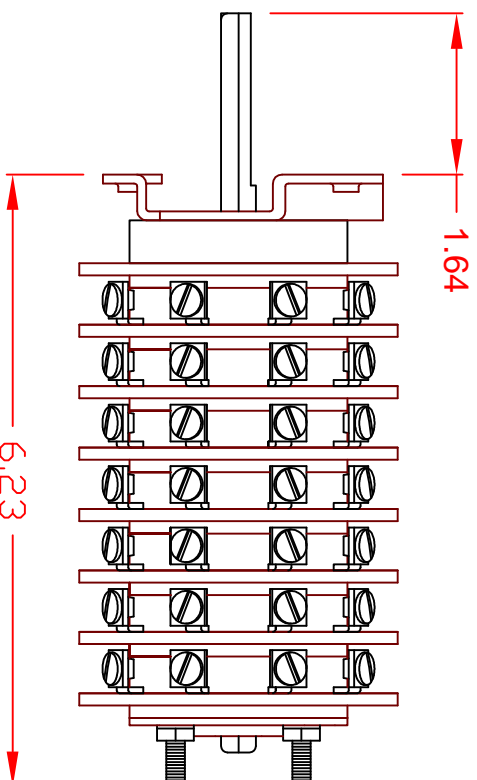
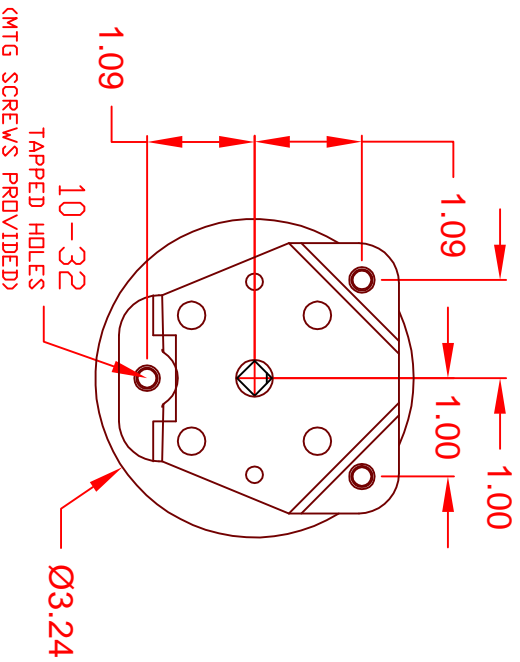
**Materials and Finishes:**

- \* Rotors and Stators: Thermoset Plastic, UL 94V0
- \* Rotor contacts: Phosphor bronze
- \* Stator contacts: Silver plated copper, screw type
- \* Terminal hardware: silver plated brass
- \* Exterior Metal: Steel with zinc chromate finish
- \* Knob: thermoset phenolic



DECK	CONTACTS	POSITION							
		1	2	3	4	5	6	7	8
11	12	X							
12	13		X						
13	14			X					
14	15				X				
15	16					X			
16	17						X		
17	18							X	
18	19								X
19	20								
20	21								
21	22								
22	23								
23	24								
24	25								
25	26								
26	27								
27	28								
28	29								
29	30								
30	31								
31	32								
32	33								
33	34								
34	35								
35	36								
36	37								
37	38								
38	39								
39	40								
40	41								
41	42								
42	43								
43	44								
44	45								
45	46								
46	47								
47	48								
48	49								
49	50								

DECK	CONTACTS	POSITION							
		1	2	3	4	5	6	7	8
51	52								
52	53								
53	54								
54	55								
55	56								
56	57								
57	58								
58	59								
59	60								
60	61								
61	62								
62	63								
63	64								
64	65								
65	66								
66	67								
67	68								
68	69								
69	70								
70	71								
71	72								
72	73								
73	74								
74	75								
75	76								
76	77								
77	78								
78	79								
79	80								



308 COMPONENTS DRIVE  
 SMITHFIELD, NC 27577 USA

26207D

REV. -